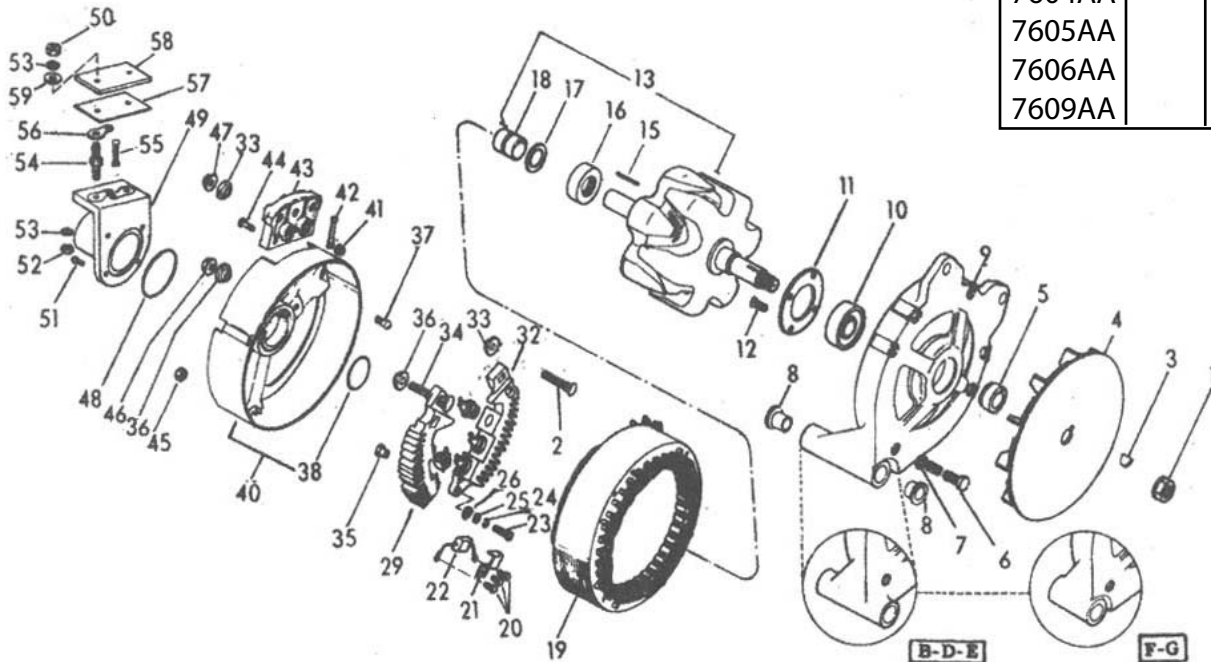


GROUP:	"J"
FORM:	3085-568 Rev.A688
FILE:	Alternator Parts List Section
DATE:	June, 1988

PRODUCTS COVERED

MODEL	VOLTS	AMPS
7600AA	14	105
7601AA		
7602AA		
7603AA		
7604AA		
7605AA		
7606AA		
7609AA		



Parts Not Common

Ref. No.	Description	Qty.	7600A	7601A	7602A	7603A	7604A	7605A	7606A	7609A
1*	Nut, 5/8-18 Hex. Fl. Lock	1	76985	76985	—	76985	76985	76985	—	—
1*	Nut, 1/2-20 Hex. Fl. Lock	1	—	—	74107	—	—	—	74107	74107
4	Fan	1	75594	75594	75633	75594	75594	75594	75633	75633
5	Spacer, Fan	1	59225	59225	59324	59225	59225	59225	59324	59324
8	Spacer, Mounting	2	73651	73651	59250	73651	73651	73743	73743	73743
9*	D.E. Housing	1	71177	71142	71071	71142	71142	77755	77773	96842
10	Bearing, 305	1	76262	76262	—	76262	76262	76262	—	—
10	Bearing, 304	1	—	—	57166	—	—	—	57166	57166
13*	Rotor & Slip Ring Assembly	1	77308	77308	77767	77308	77308	77308	77767	77767

*Suggested Service Parts

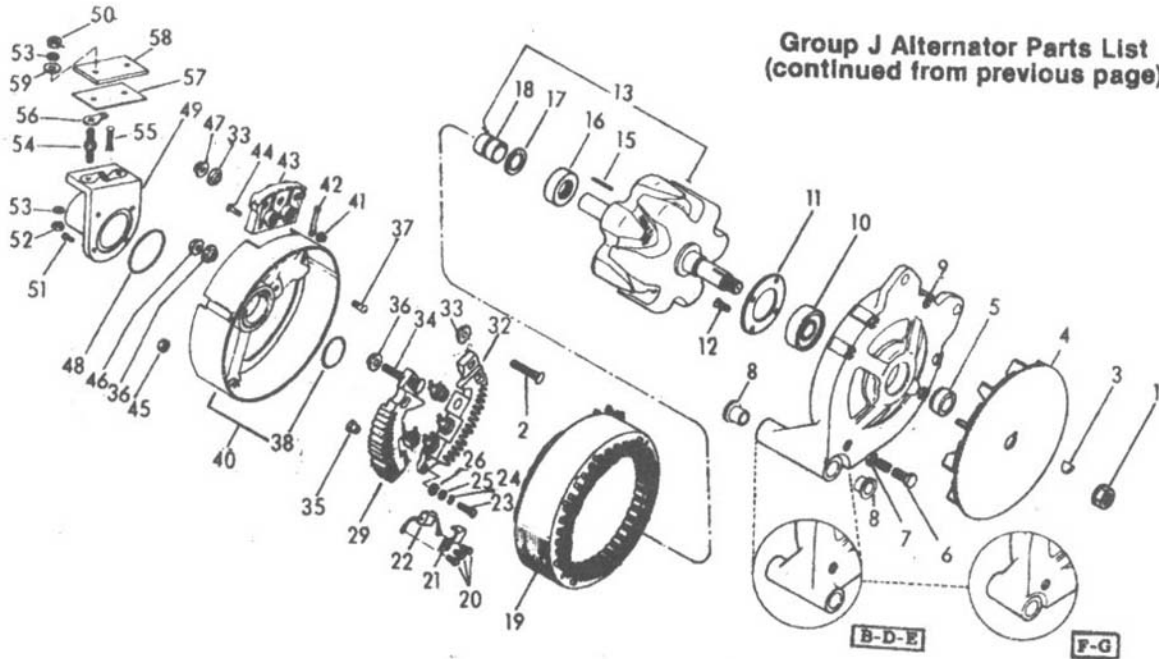
Parts List Continued on Next Page▶

Important: The information contained in this bulletin is intended for use by trained, professional technicians who have the proper tools, equipment, and training to perform the required maintenance described above. This information is NOT intended for 'do-it-yourselfers', and you should not assume that this information applies to your equipment. If you have any questions regarding this information please visit our website at www.prestolite.com, or contact our customer service department at:

Leece-Neville Heavy Duty Systems
7585 Empire Drive
Florence, KY 41042

(800) 354-0560
(859) 525-8801
info@prestolite.com

GROUP: 7600AA-7609AA
FORM: 3085-568, Rev. A688



Parts Common

Ref. No.	Part No.	Qty.	Description	Ref. No.	Part No.	Qty.	Description
2	58432	1	Screw, Terminal	34	78336	1	Screw, Terminal
3	6399	1	Key, Woodruff #8	35	73547*	2	Bushing, Insulation
6	59972	3	Screw, 10-32 x3-5/8	36	73546*	2	Bushing, Insulation
7	75451	3	Washer, Belleville	37	5179	2	Screw, 10-32 x 1/2
11	59234	1	Retainer, Bearing	38	57597*	1	"O" Ring
12	58754	4	Screw, 10-32 x 7/16	39			Not Used
14			Not Used	40	71098*	1	Housing & "O" Ring Assembly
15	30300	1	Wedge Slot	41	31587*	3	Nut, Lock
16	26853*	1	Bearing, 203	42	73657	3	Jumper Assembly
17	57626	1	Washer, Insulation	43	73635*	1	Insulator
18	57462*	1	Ring Assembly, Slip	44	73659	3	Screw, 10-32 x 1/2 Sq. Hd.
19	77339*	1	Stator & Terminal Assembly	45	26175	3	Nut, Elastic Stop 10-32
20	73543	3	Screw, 6-32 Hex. Hd.	46	73009	1	Nut, Tenz 5/16-18
21	73760	1	Clamp (See Note)	47	59982	1	Nut, Tenz 1/4-20
22	96545*	1	Capacitor 158 MFD	48	57611*	1	Ring, Sealing
23	78337	2	Screw, 10-32 x 3/4 Rd. Hd.	49	58777*	1	Housing, Brush Holder
24	2434	2	Lockwasher, No. 10	50	32629	2	Nut, 10-32 Hex.
25	2385	2	Washer, Guard	51	13622	4	Screw, 8-32 x 7/16 Rd. Hd.
26	52066	2	Washer, Insulation	52	4340	2	Nut, 10-24 Hex.
27			Not Used	53	4534	4	Lockwasher No. 10 S'proof
28			Not Used	54	57613*	2	Stud, Terminal
29	71180*	1	Rectifier Assembly	55	97893*	2	Brush
30			Not Used	56	57594	2	Jumper
31			Not Used	57	73814*	1	Gasket
32	71181*	1	Rectifier Assembly	58	57615*	1	Cover, Terminal
33	73545*	2	Bushing, Insulation	59	5293	2	Washer, Guard

*Suggested Service Parts

NOTE: Clamp #73760 is used with old style capacitor #73541 only.

Important: The information contained in this bulletin is intended for use by trained, professional technicians who have the proper tools, equipment, and training to perform the required maintenance described above. This information is NOT intended for 'do-it-yourselfers', and you should not assume that this information applies to your equipment. If you have any questions regarding this information please visit our website at www.prestolite.com, or contact our customer service department at: