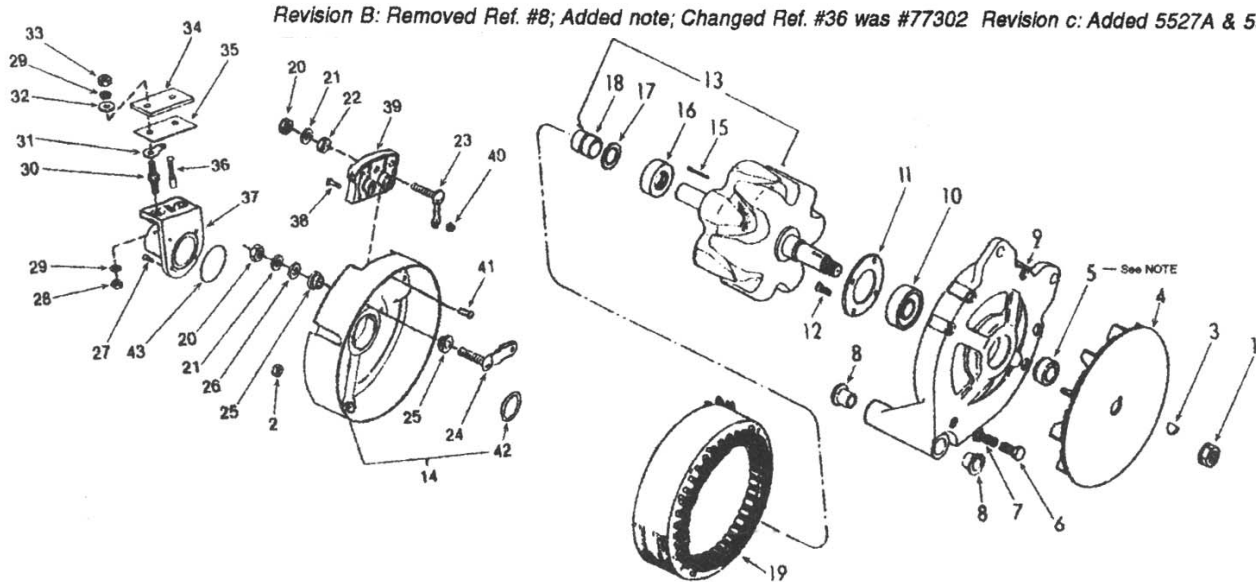


GROUP:	5522-5528A
FORM:	4404-1083 Rev.C 294
FILE:	Alternator Parts List Section
DATE:	February, 1994

PRODUCTS COVERED

MODEL	VOLTS	AMPS
5522AA	14	165
5523AA	14	200
5527A	14	165
5528A	14	200



Revision B: Removed Ref. #8; Added note; Changed Ref. #36 was #77302 Revision c: Added 5527A & 5528A

No.	Ref. No.	Part Qty.	Description	Ref. No.	Part No.	Qty.	Description
1	74107	1	Nut, 1/2-20 Hex. Flange	21	3231	3	Lockwasher, Spring 5/16"
2	26175	3	Nut, 10-32 Elastic Stop	22	95583*	1	Spacer Bushing
3	6399	1	Key, Woodruff #8	23	95401	1	Jumper Assembly
4	75633	1	Fan Assembly (See Note)	24	95424	2	Jumper Assembly
5	59324	1	Spacer, Fan (See Note)	25	73546*	4	Insulation Bushing
6	59972	3	Screw, 10-32 x 3-5/8 Hex.	26	5358	2	Washer, Guard
7	75451	3	Washer, Belleville	27	13622	4	Screw, 8-32 x 7/16" Rd. Hd.
8	73651	2	Insert, Mounting	28	4340	2	Nut, 10-24 Hex.
9	77773*	1	Housing, D.E. 5522A, 5523A	29	4534	4	Lockwasher, #10 S'proof
9	101154	1	Housing, D.E. 5527A, 5528A	30	57613*	2	Stud, Terminal
10	57166*	1	Bearing, 304	31	57594*	2	Jumper
11	59234	1	Retainer, Bearing	32	5293	2	Washer, Guard
12	58754	4	Screw, 10-32 x 7/16 Fl. Hd.	33	32629	2	Nut, 10-32 Hex.
13	95022*	1	Rotor & Slip Ring Assy. (5522A & 5527A)	34	57615*	1	Cover, Terminal
13	96489*	1	Rotor & Slip Ring Assy. (5523A & 5528A)	35	73814*	1	Gasket
14	71098*	1	Housing & "O" Ring Assembly	36	97893	2	Brush
15	30300	1	Wedge, Slot	37	58777*	1	Brush Holder
16	26853	1	Bearing, 203	38	73659	3	Screw, 10-32 x 1/2" Sq. Hd.
17	57626	1	Washer, Insulation	39	95427*	1	Insulator
18	57462*	1	Slip Ring Assembly	40	31587*	3	Nut, Lock
19	97078*	1	Stator & Terminal Assy. (5522A & 5527A)	41	5179	2	Screw, 10-32 x 1/2" Rd. Hd.
19	96424*	1	Stator & Terminal Assy. (5523A & 5528A)	42	57597*	1	"O" Ring
20	59040	3	Nut, 5/16-18 Hex.	43	57611	1	Ring, Sealing

*Suggested Service Parts

Note: If aluminum fan is being used then do not use fan spacer #59234 because the fan has an integral spacer.

© 1994 Prestolite Electric Incorporated

Important: The information contained in this bulletin is intended for use by trained, professional technicians who have the proper tools, equipment, and training to perform the required maintenance described above. This information is NOT intended for 'do-it-yourselfers', and you should not assume that this information applies to your equipment. If you have any questions regarding this information please visit our website at www.prestolite.com, or contact our customer service department at: