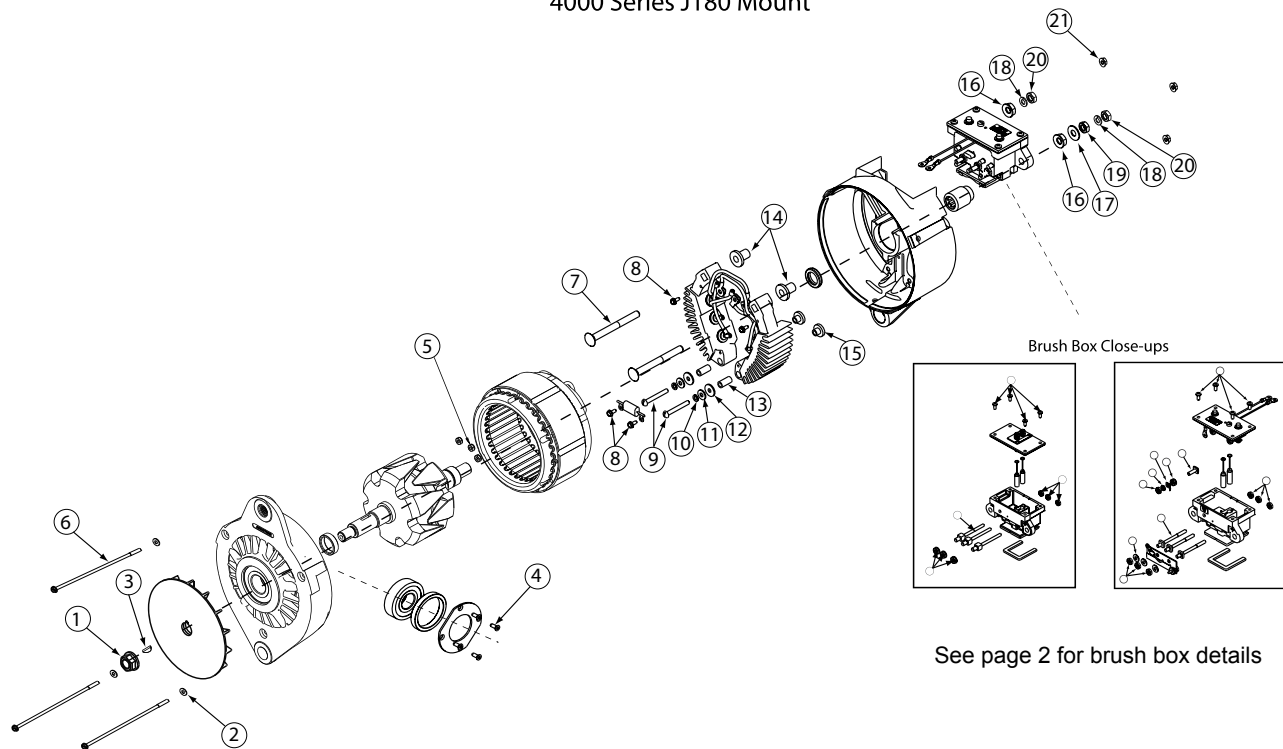


Source: Leece-Neville Heavy Duty Systems Division - Arcade, NY USA  
 Date: February 5, 2008  
 Bulletin No: TSB-3012  
 Models: 4000 Series 6 Diode Rectifier Alternators  
 Subject: Hardware Kit for 4000 6 Diode Series Alternators K212104767S

This series covers 6 diode rectified alternators less than 185 Amps and either remote rectified or remote regulated models not requiring the R031101136S capacitor.

NOTE: All of these components are part of the hardware kit and not available for individual purchase.

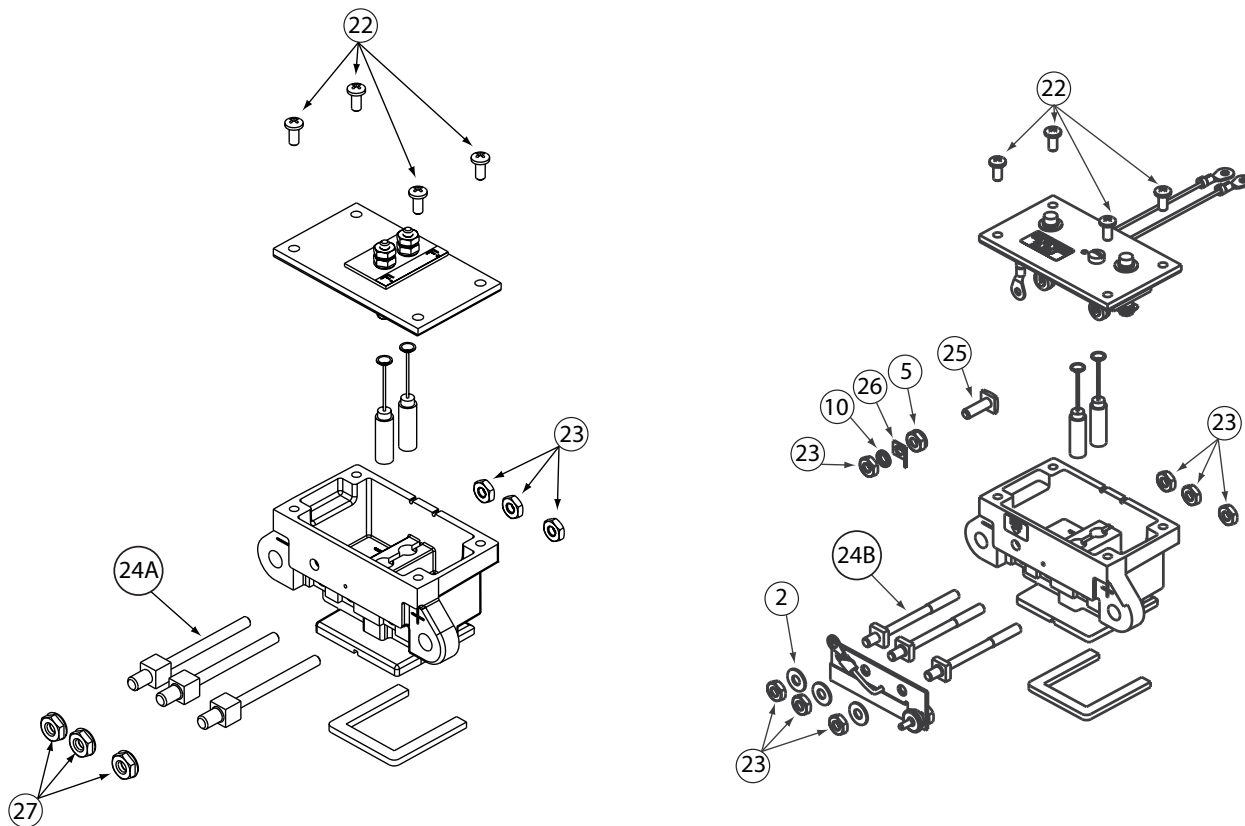
4000 Series J180 Mount



See page 2 for brush box details

**Important:** The information contained in this bulletin is intended for use by trained, professional technicians who have the proper tools, equipment, and training to perform the required maintenance described above. This information is NOT intended for 'do-it-yourselfers', and you should not assume that this information applies to your equipment. If you have any questions regarding this information please visit our website at [www.prestolite.com](http://www.prestolite.com), or contact our technical service department at:

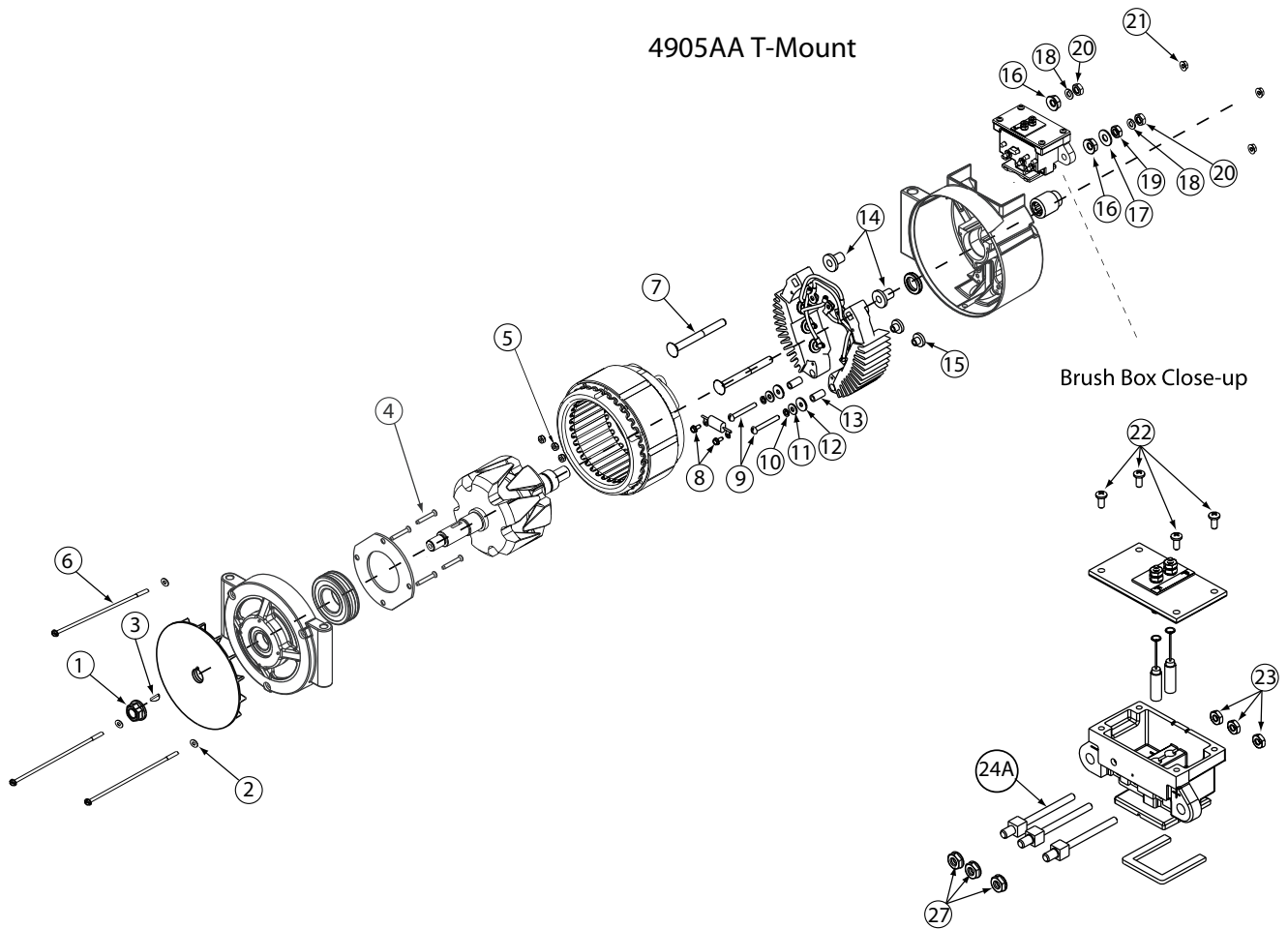
Date: February 5, 2008  
Bulletin No: TSB-3012



**Important:** The information contained in this bulletin is intended for use by trained, professional technicians who have the proper tools, equipment, and training to perform the required maintenance described above. This information is NOT intended for 'do-it-yourselfers', and you should not assume that this information applies to your equipment. If you have any questions regarding this information please visit our website at [www.prestolite.com](http://www.prestolite.com), or contact our technical service department at:

Date: February 5, 2008  
Bulletin No: TSB-3012

NOTE: All of these components are part of the hardware kit and not available for individual purchase.



**Important:** The information contained in this bulletin is intended for use by trained, professional technicians who have the proper tools, equipment, and training to perform the required maintenance described above. This information is NOT intended for 'do-it-yourselfers', and you should not assume that this information applies to your equipment. If you have any questions regarding this information please visit our website at [www.prestolite.com](http://www.prestolite.com), or contact our technical service department at:

Date: February 5, 2008

Bulletin No: TSB-3012

Description	Qty.	Key	Where used
NUT, 5/8-18, LOCK	1	1	Fan Nut
WASHER, FLAT#10	6	2	Thru-Bolt flat washer
KEY, WOODRUFF #8	1	3	Shaft key
SCREW, THREAD FORMING	4	4	Front housing retainer plate holding screw
NUT	4	5	Internal stator nuts to AC-taps
THROUGH BOLT	3	6	Thru-Bolt Hold Alternator Together
THROUGH BOLT	3	6	Thru-Bolt Hold Alternator Together
SCREW TERMINAL 5/16-18 x 3 1/4	2	7	Positive and Negative Output Studs
SCREW, TAP #6-32X11/32	4	8	Hold regulator sense leads and capacitor to rectifier rings
SCREW #10-32 X 1 1/2	2	9	Holds rectifier ring to rear housing
WASHER, LOCK #10	3	10	Lock washer for bolt (Key 9)
WASHER, FLAT #10	2	11	Flat washer for bolt (Key 9)
WASHER INSULATING	2	12	Insulates bolt (Key 9) from rectifier rings
BUSHING, INSULATING	2	13	Insulates bolt (Key 9) from rectifier rings
BUSHING, INSULATING	2	14	Insulates output studs and rectifier rings from rear housing
BUSHING, INSULATING	2	15	Insulates rectifier ring from rear housing
NUT, CON LOCK, 5/16-18	2	16	Holds positive and negative studs into rear housing
WASHER GUARD, 5/16	1	17	Washer used on negative output stud
WASHER, LOCK 5/16	2	18	Lock washer for positive and negative output stud
HEX NUT, 5/16-18 UNC	1	19	Jam nut used on negative output stud
HEX NUT, 5/16-18 UNC	2	20	Nut used to attach customer cables to alternator output studs
NUT, #10-32 FLANGE LOCK	3	21	Thru Bolts nuts
SCREW #8-32 X 3/8	4	22	Regulator attachment screws
HEX NUT, #10-32 UNF	7	23	AC Tap Nuts
STUD TERMINAL	3	24A	AC Studs
STUD TERMINAL	3	24B	AC Studs
SCREW, #10-32 X 5/8, SQ HD	1	25	Ignition stud
TERMINAL, 1/4", 45	1	26	Ignition terminal
NUT, CON LOCK, 1/4-20	3	27	AC nuts

**Important:** The information contained in this bulletin is intended for use by trained, professional technicians who have the proper tools, equipment, and training to perform the required maintenance described above. This information is NOT intended for 'do-it-yourselfers', and you should not assume that this information applies to your equipment. If you have any questions regarding this information please visit our website at [www.prestolite.com](http://www.prestolite.com), or contact our technical service department at: