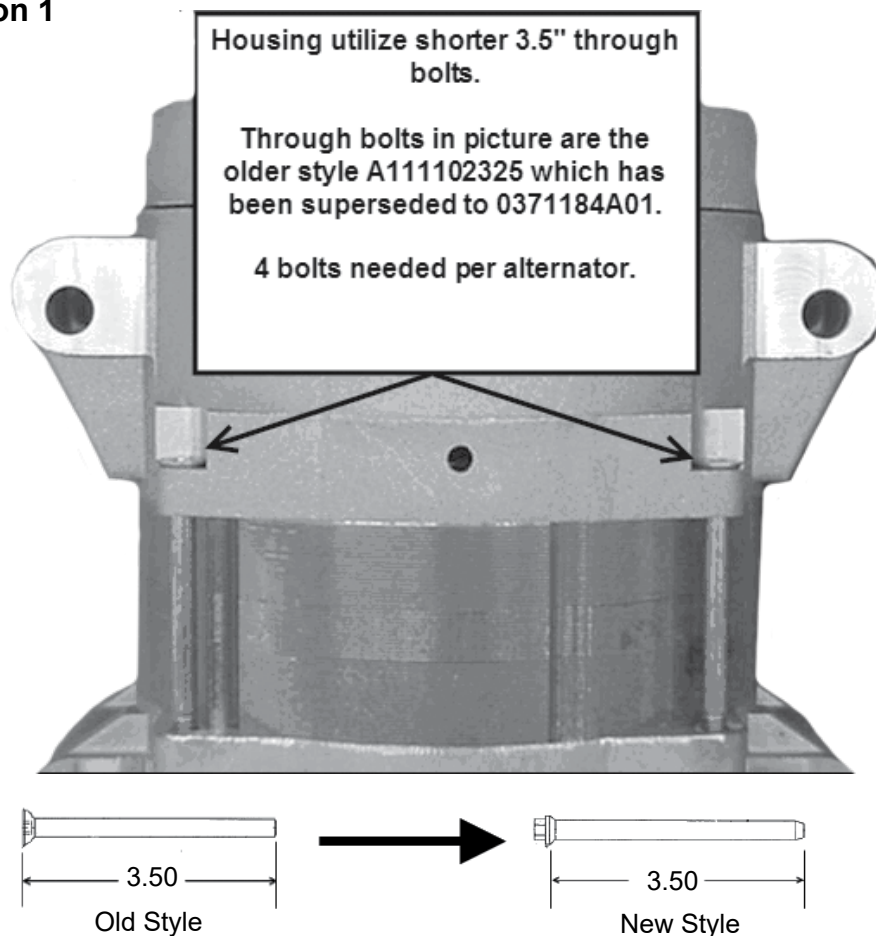


Source: Leece-Neville Heavy Duty Systems Division - Arcade, NY USA  
Date: July 7, 2017  
Bulletin No: TSB-1047  
Models: All 4900 Series Alternators  
Subject: 4900 Series Rear Housing Configurations

### 4900 Series Rear Housing Configurations

Two different rear housing configurations are currently being manufactured by Leece-Neville. Please refer to the illustrations below to determine which through bolt will be needed so proper service parts can be used.

#### Configuration 1



**Older style A111102325 through bolt has been superseded to 0371184A01.**

Important: The information contained in this bulletin is intended for use by trained, professional technicians who have the proper tools, equipment, and training to perform the required maintenance described above. This information is NOT intended for 'do-it-yourselfers'; and you should not assume that this information applies to your equipment. If you have any questions regarding this information please visit our website at [www.prestolite.com](http://www.prestolite.com), or contact our technical service department at:

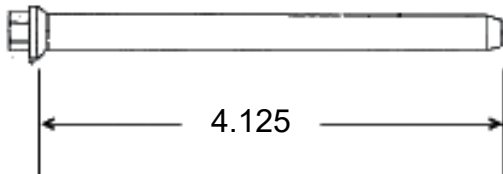
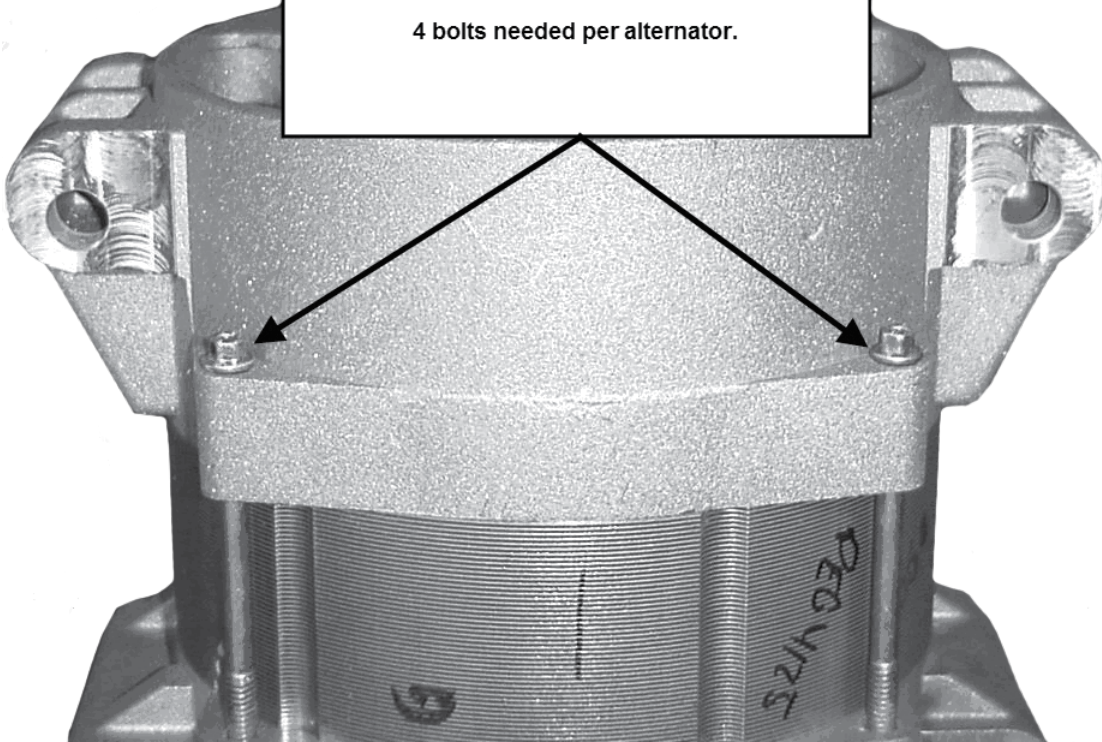
Date: July 7, 2017  
Bulletin No: TSB-1047

**Configuration 2**

Housing utilize longer 4.125" through bolts.

Part number A152104027

4 bolts needed per alternator.



**Part number A152104027.**

Important: The information contained in this bulletin is intended for use by trained, professional technicians who have the proper tools, equipment, and training to perform the required maintenance described above. This information is NOT intended for 'do-it-yourselfers', and you should not assume that this information applies to your equipment. If you have any questions regarding this information please visit our website at [www.prestolite.com](http://www.prestolite.com), or contact our technical service department at: