

Source: Leece-Neville Heavy Duty Systems Division - Arcade, NY USA
 Date: July 7, 2017
 Bulletin No: TSB-1115B
 Models: M125R3030SE, M125R3037SEP, M125R3038SEP, M125R3039SEP,
 M125R3040SEP, M125R3837SE, M125R3838SE, M128R3837SE, M128R3838SE
 Subject: Dual starter wiring procedure

Procedure will explain how to properly wire 24V M125R starters in dual applications.

Step 1: Lift protective boot and remove right hand side nuts on relays.

Step 2: Connect wire assembly to relay terminals. Make sure not to connect to the relay terminals which are connected to the B+ on solenoid.

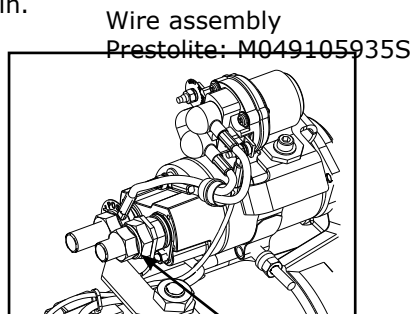
Prestolite part number: M049105935

If distance between relay connection points is greater than one foot:

Use wire with two M6 terminals and no more than 27 mV drop with 40 Amps pushed through it.

Also connect an ignition input balancing lead between the two relay Ignition "S" terminals to balance the load. This wire should have two M5 terminals and be at least 16 awg.

Step 3: Install nuts removed in step 1 and torque to 44-53 lb-in. (5-6 NM)

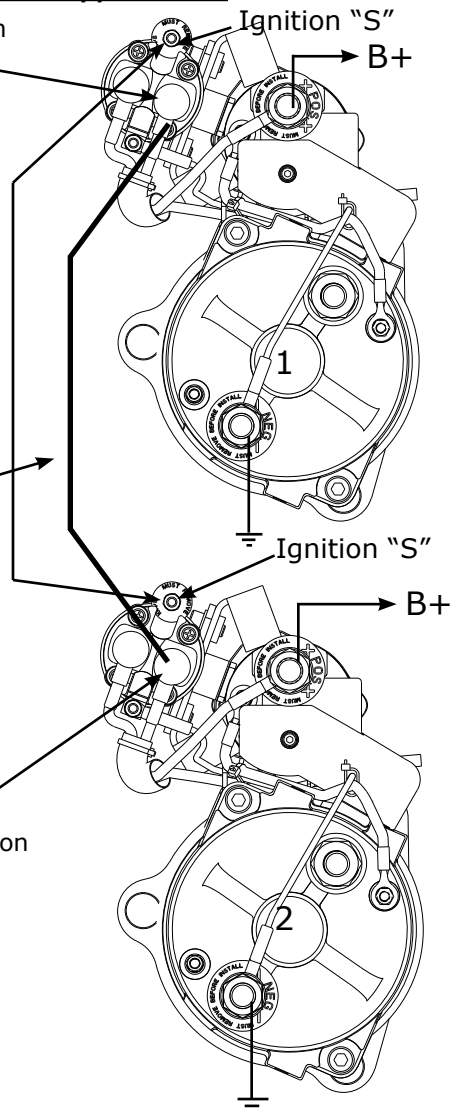


Customer sense lead connects here, to terminal number 30B (the solenoid motor volts stud.) Prestolite recommends the customer connects a sensing terminal so that the operator can observe if both starters have achieved meshing. If no lead is present, it may void warranty. Please contact technical service if unsure. Torque 11-13 foot-lbs. while holding inner nut.

Remove nut on relay.

Ignition input balancing lead

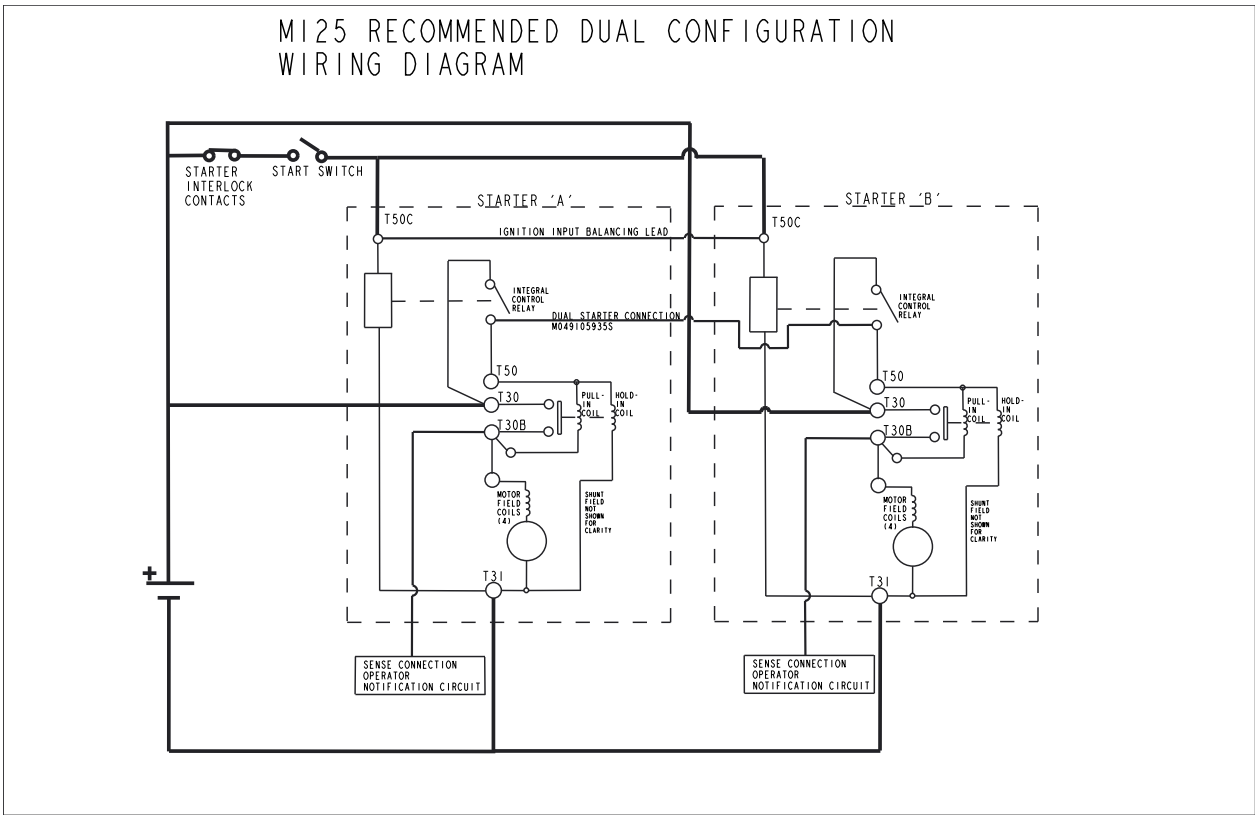
Remove nut on relay.



NOTE: For starter motor safety precautions please reference TSB-1166.

Important: The information contained in this bulletin is intended for use by trained, professional technicians who have the proper tools, equipment, and training to perform the required maintenance described above. This information is NOT intended for 'do-it-yourselfers', and you should not assume that this information applies to your equipment. If you have any questions regarding this information please visit our website at www.prestolite.com, or contact our technical service department at:

Source: Leece-Neville Heavy Duty Systems Division - Arcade, NY USA
 Date: July 7, 2017
 Bulletin No: TSB-1115B
 Models: M125R3030SE, M125R3037SEP, M125R3038SEP, M125R3039SEP,
 M125R3040SEP, M125R3837SE, M125R3838SE, M128R3837SE, M128R3838SE
 Subject: Dual starter wiring procedure



NOTE: For starter motor safety precautions please reference TSB-1166.

Important: The information contained in this bulletin is intended for use by trained, professional technicians who have the proper tools, equipment, and training to perform the required maintenance described above. This information is NOT intended for 'do-it-yourselfers', and you should not assume that this information applies to your equipment. If you have any questions regarding this information please visit our website at www.prestolite.com, or contact our technical service department at: