

Source: Leece-Neville Heavy Duty Systems Division - Arcade, NY USA
 Date: July 7, 2017
 Bulletin No: TSB-1114
 Models: M105R Starters
 Subject: Wiring diagrams for 24V models

TSB will explain the terminal identifications and locations on the 24V M105R starters.

Note:

Relay is part of the starter soft start feature. Neither the relay nor the wiring from relay to solenoid should be removed or modified as warranty will be void.

Malfunction or serious damage can result from wrong connection. Please consult Prestolite help-desk if you are in any doubt about starter connections.

"S" Switch Terminal
(Green Placard)

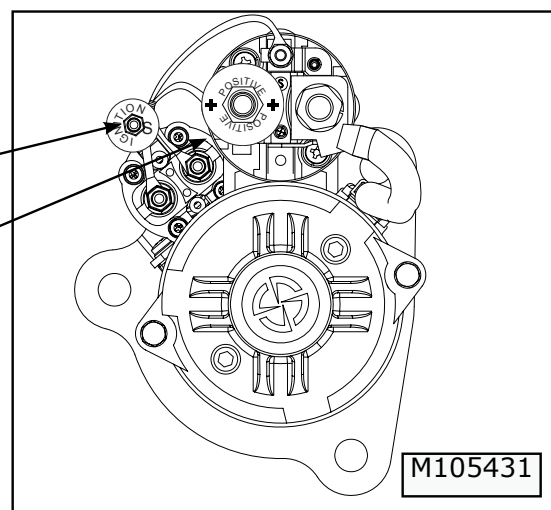
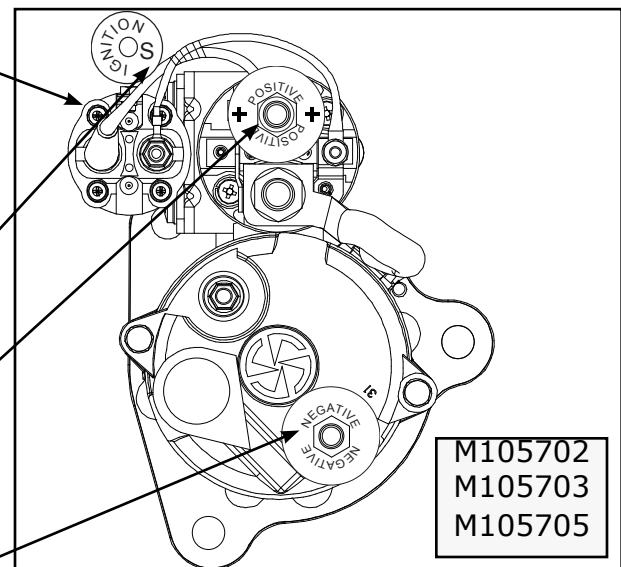
Primary Positive Connection
from battery. (Yellow placard)

Primary Earth/ Ground
Connection from battery.
(Orange placard)

"S" Switch Terminal
(Green Placard)

Primary Positive Connection
from battery. (Yellow placard)

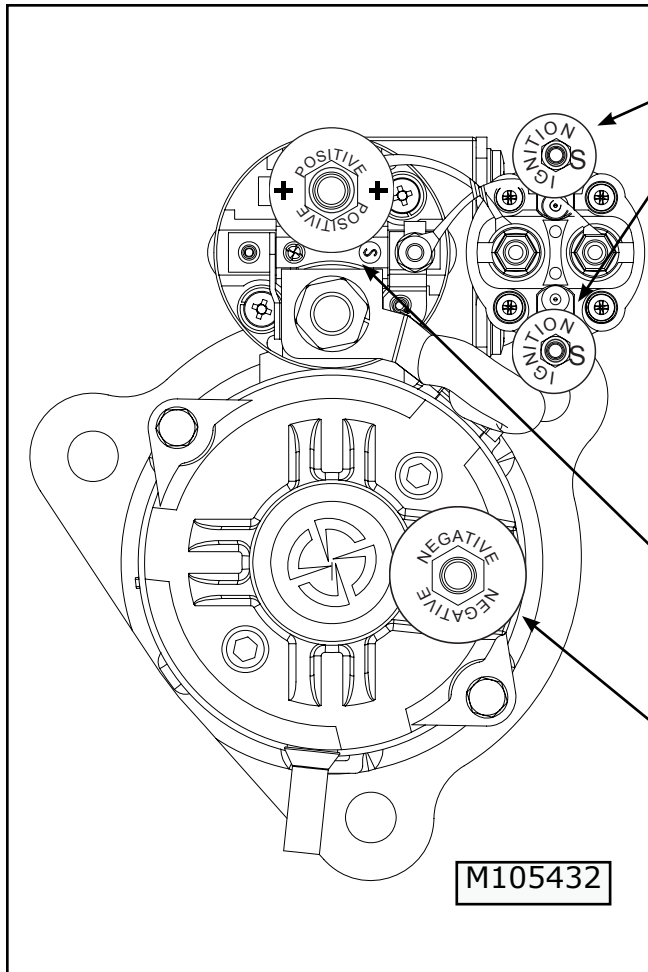
Primary Earth/ Ground
Connection from battery.
Case ground.
No ground terminal available.



NOTE: For starter motor safety precautions please reference TSB-1166.

Important: The information contained in this bulletin is intended for use by trained, professional technicians who have the proper tools, equipment, and training to perform the required maintenance described above. This information is NOT intended for 'do-it-yourselfers', and you should not assume that this information applies to your equipment. If you have any questions regarding this information please visit our website at www.prestolite.com, or contact our technical service department at:

Date: July 7, 2017
Bulletin No: TSB-1114



"S" Switch Terminal
Green Placard

Note: Grounding of relay is furnished through vehicle wiring. Polarity of these two terminals are interchangeable.

Primary Positive Connection from battery. (Yellow placard)

Primary Earth/ Ground Connection from battery. (Orange placard)

Note: Each TITAN™ M105R starter is now fitted with terminal placards to help identify these terminals. Upon making each connection to this starter remove and discard each placard.

To insure reliable long term operation it is critical that the vehicle ring gear be inspected for excessively worn or frayed edges of the ring gear teeth that may prevent engagement of the starter pinion.
Replace ring gear if necessary.

NOTE: For starter motor safety precautions please reference TSB-1166.

Important: The information contained in this bulletin is intended for use by trained, professional technicians who have the proper tools, equipment, and training to perform the required maintenance described above. This information is NOT intended for 'do-it-yourselfers', and you should not assume that this information applies to your equipment. If you have any questions regarding this information please visit our website at www.prestolite.com, or contact our technical service department at: