

Source: Leece-Neville Heavy Duty Systems Division - Arcade, NY USA  
 Date: JULY 7, 2017  
 Bulletin No: TSB-1113  
 Models: 12V M105R Starters  
 Subject: Wiring diagrams

**TSB will explain the terminal identifications and locations on the 12V M105R starters.**

See page two and three for  
 "S" Switch terminal locations

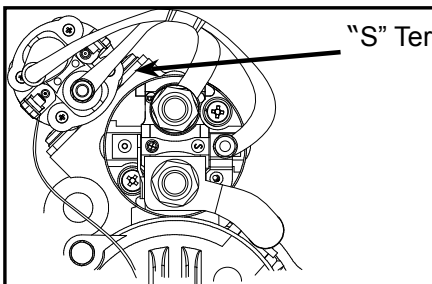
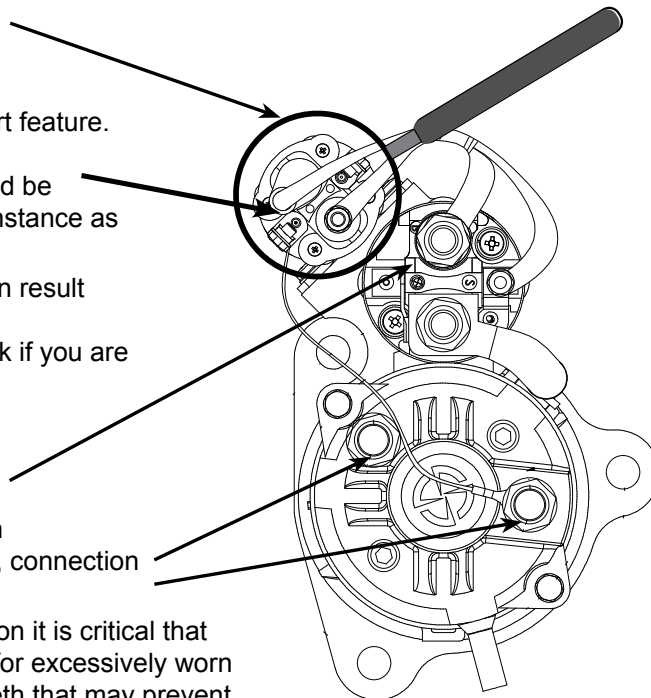
**Note:**

Relay is part of the starter soft start feature. Neither the relay nor the wiring from relay to solenoid should be removed or modified in any circumstance as it will void warranty. Malfunction or serious damage can result from wrong connection. Please consult Prestolite help-desk if you are in any doubt about starter connections.

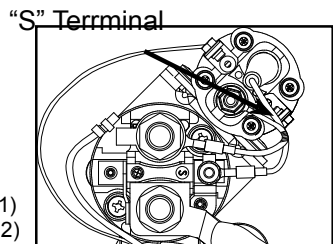
Primary Positive Connection from battery.

Primary Earth/ Ground Connection from battery. Depending on model, connection can be in one of the two locations.

To insure reliable long term operation it is critical that the vehicle ring gear be inspected for excessively worn or frayed edges of the ring gear teeth that may prevent engagement of the starter pinion. Replace ring gear if necessary.



M105R2002SE (M105302)  
 M105R2502SE (M105602)



**Please refer to your part number for correct "S" Switch terminal location.**

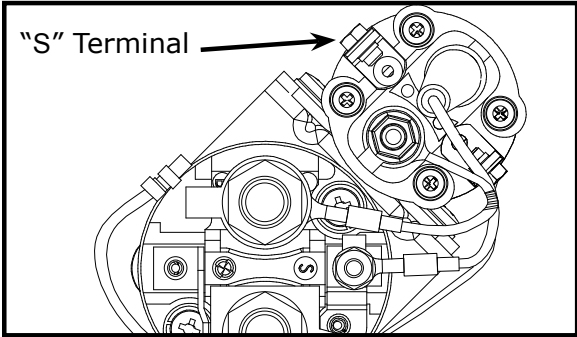
- M105R2011SE (M105311)
- M105R2012SE (M105312)
- M105R2511SE (M105611)
- M105R2512SE (M105612)
- M105R2515SE (M105615)
- M105R2518SE (M105618)

**NOTE:** For starter motor safety precautions please reference TSB-1166.

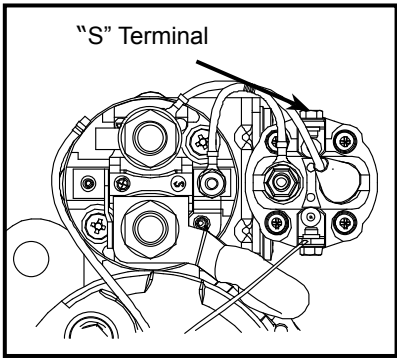
Important: The information contained in this bulletin is intended for use by trained, professional technicians who have the proper tools, equipment, and training to perform the required maintenance described above. This information is NOT intended for 'do-it-yourselfers', and you should not assume that this information applies to your equipment. If you have any questions regarding this information please visit our website at [www.prestolite.com](http://www.prestolite.com), or contact our technical service department at:

Date: JuLY 7, 2017

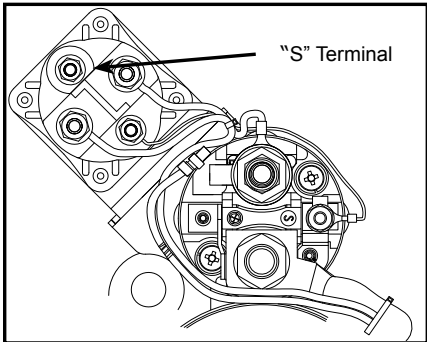
Bulletin No: TSB-1113



M105R2501SE (M105601)  
M105R2510SE (M105610)  
M105R2010SE (M105310)



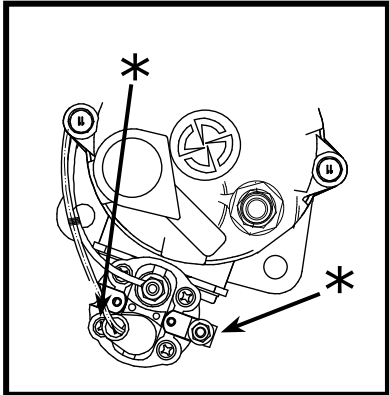
M105R2513SE (M105613)



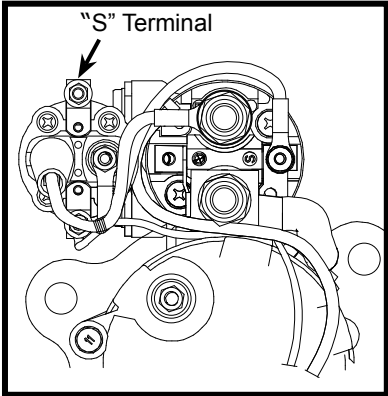
M105R2022SE (M105322)

Note: Each TITAN™ M105R starter is now fitted with terminal placards to help identify these terminals. Upon making each connection to this starter remove and discard each placard.

\* When installing on vehicles where both sides of the relay coil are connected to the wiring harness and are controlled by the vehicle ECU, the fitted relay ground wire must be removed and discarded before installation. The vehicle's wiring provides both power and ground to the relay and vehicle wiring polarity is not critical when connecting to the starter relay.



M105R2052SE (M105352)



M105R2503SE (M105603)  
M105R2517SE (M105617)

**NOTE:** For starter motor safety precautions please reference TSB-1166.

Important: The information contained in this bulletin is intended for use by trained, professional technicians who have the proper tools, equipment, and training to perform the required maintenance described above. This information is NOT intended for 'do-it-yourselfers', and you should not assume that this information applies to your equipment. If you have any questions regarding this information please visit our website at [www.prestolite.com](http://www.prestolite.com), or contact our technical service department at: