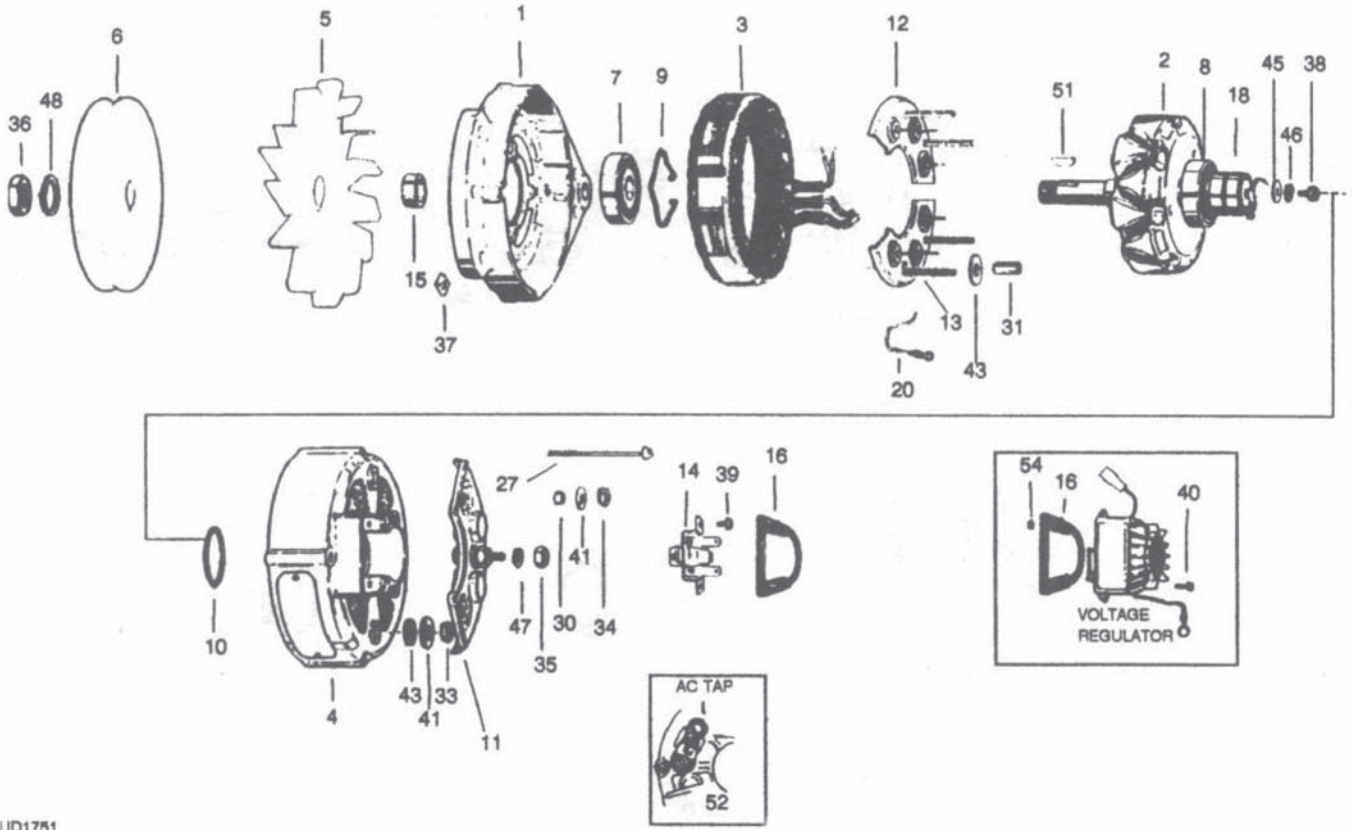


GROUP:	14, MR
FORM:	125-99AB
FILE:	Alternator Parts Lists Section
DATE:	January, 1989

MODEL	VOLTS	AMPS
Various See Chart		

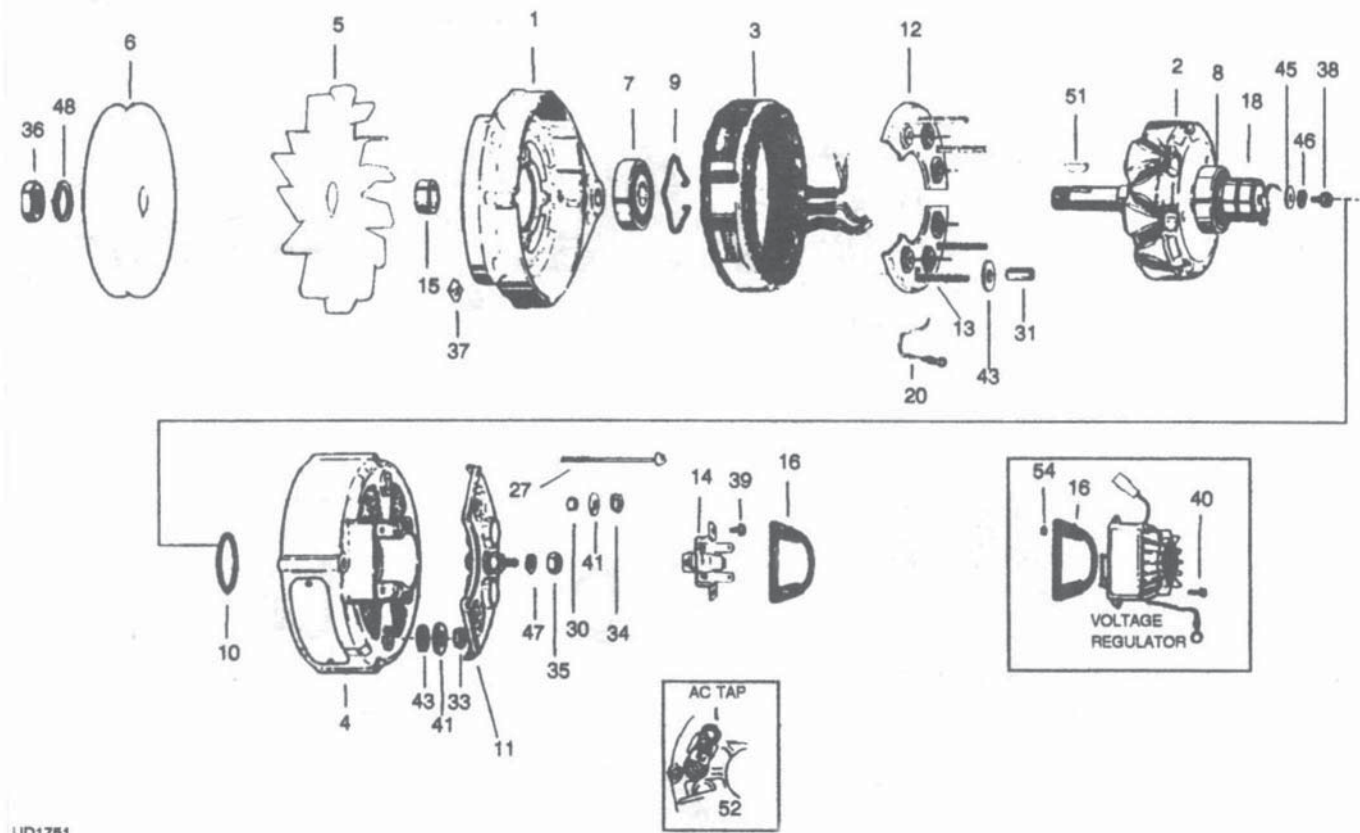


UD1751

MODEL NO.	SALES NO.	1 HSNG FRONT	2 ROTOR ASSEM	3 STATOR ASSEM	4 HSNG REAR	5 FAN	6 PULLEY	7 BRNG FRONT	8 BRNG REAR	9 FR.BRNG RET.	10 R.BRNG RET.	11 ISOLA. DIODE	12 REC. NEG.
MR12N451	110-76	114-9	112-21	113-1	114-68	107-68		111-21	111-21	111-3	111-64	101-30	101-18
MR12N451D	110-77	114-24	112-21	113-1	114-68	107-68		111-21	111-21	111-3	111-64	101-30	101-18
MR12N550	110-82	114-9	112-28	113-2	114-68	107-68		111-21	111-21	111-3	111-64	101-30	101-18
MR12N550D	110-83	114-24	112-28	113-2	114-68	107-68		111-21	111-21	111-3	111-64	101-30	101-18
MR12N600	110-78	114-9	112-28	113-19	114-68	107-68		111-21	111-21	111-3	111-64	101-30	101-18
MR12N600D	110-79	114-24	112-28	113-19	114-68	107-68		111-21	111-21	111-3	111-64	101-30	101-18

Important: The information contained in this bulletin is intended for use by trained, professional technicians who have the proper tools, equipment, and training to perform the required maintenance described above. This information is NOT intended for 'do-it-yourselfers', and you should not assume that this information applies to your equipment. If you have any questions regarding this information please visit our website at www.prestolite.com, or contact our technical service department at:

GROUP:	14, MR
FORM:	125-99AB



UD1751

MODEL NO.	SALES NO.	13 DIODE REC, POS	14 BRUSH ASSEM	15 FAN SP&PUL	16 GASKET CVR,FLT	17 CVR,BR ASSEM	18 SLIP RING	19 CABLE BRUSH	20 CABLE TACH	21 CABLE GROUND	22	23	24
MR12N451	110-76	101-50	103-15	120-152	103-50		112-22						
MR12N451D	110-77	101-50	103-15	120-152	103-50		112-22						
MR12N550	110-82	101-50	103-15	120-152	103-50		112-22						
MR12N550D	110-83	101-50	103-15	120-152	103-50		112-22						
MR12N600	110-78	101-50	103-15	120-152	103-50		112-22						
MR12N600D	110-79	101-50	103-15	120-152	103-50		112-22						

* PLUS 116-21

Important: The information contained in this bulletin is intended for use by trained, professional technicians who have the proper tools, equipment, and training to perform the required maintenance described above. This information is NOT intended for 'do-it-yourselfers', and you should not assume that this information applies to your equipment. If you have any questions regarding this information please visit our website at www.prestolite.com, or contact our technical service department at:

GROUP:	14, MR
FORM:	125-99AB

(Formerly LoadHandler)

KEY NO.	SALES NO.	DESCRIPTION	MR12N451	MR12N451D	MR12N550	MR12N550D	MR12N600	MR12N600D													
BOLTS																					
27	120-1	THROUGH, 10-32 x 2-55/64"	4	4																	
27	120-143	THROUGH, 10-32 x 3-1/8"			4	4	4	4													
INSULATORS																					
30	115-2	SLEEVE PLASTIC, NO. 10 x 3/32"	1	1	1	1	1	1													
31	115-1	SLEEVE PLASTIC, NO. 10 x 19/32"	2	2	2	2	2	2													
41	115-4	WASHER, NO. 10, 1/2" OD	2	2	2	2	2	2													
43	115-3	WASHER, NO. 10, 3/4" OD	4	4	4	4	4	4													
NUTS																					
33	120-34	HEX, 10-24	4	4	4	4	4	4													
34	120-148	HEX LOCKNUT, 10-24	4	4	4	4	4	4													
35	120-160	HEX, 1/4-20 CONELOCK	1	1	1	1	1	1													
36	120-136	HEX PULLEY MTG, 5/8-18	1	1	1	1	1	1													
37	120-150	SQUARE, 10-32	4	4	4	4	4	4													
SCREWS																					
38	120-56	HEX, 10-32 x 5/8"	1	1	1	1	1	1													
39	120-102	HEX, 8-32 x 1/2"	2	2	2	2	2	2													
40	120-179	HEX, 10-32 x 3/4"	4	4	4	4	4	4													
WASHERS																					
45	120-177	FLAT, NO. 10, 5/16" OD	1	1	1	1	1	1													
46	120-111	SPLITLOCK, NO. 10	2	2	2	2	2	2													
47	120-113	SPLITLOCK, 1/4"	1	1	1	1	1	1													
48	120-137	SPLITLOCK, 5/8"	1	1	1	1	1	1													
MISC.																					
51	120-7	WOODRUFF KEY #5	1	1	1	1	1	1													

Important: The information contained in this bulletin is intended for use by trained, professional technicians who have the proper tools, equipment, and training to perform the required maintenance described above. This information is NOT intended for 'do-it-yourselfers', and you should not assume that this information applies to your equipment. If you have any questions regarding this information please visit our website at www.prestolite.com, or contact our technical service department at: