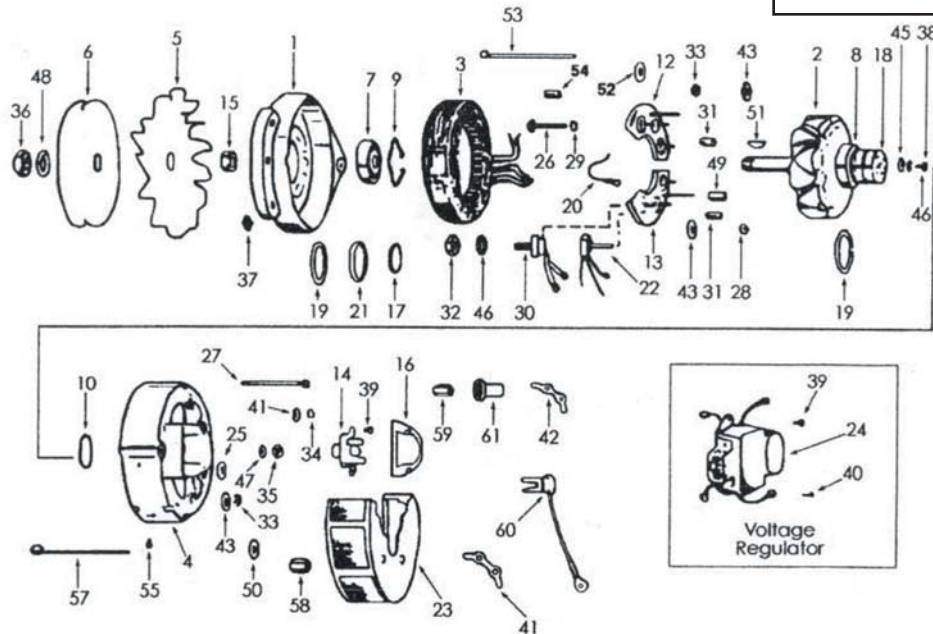


GROUP:	15A
FORM:	8MR
FILE:	Alternator Parts List Section
DATE:	June, 1996

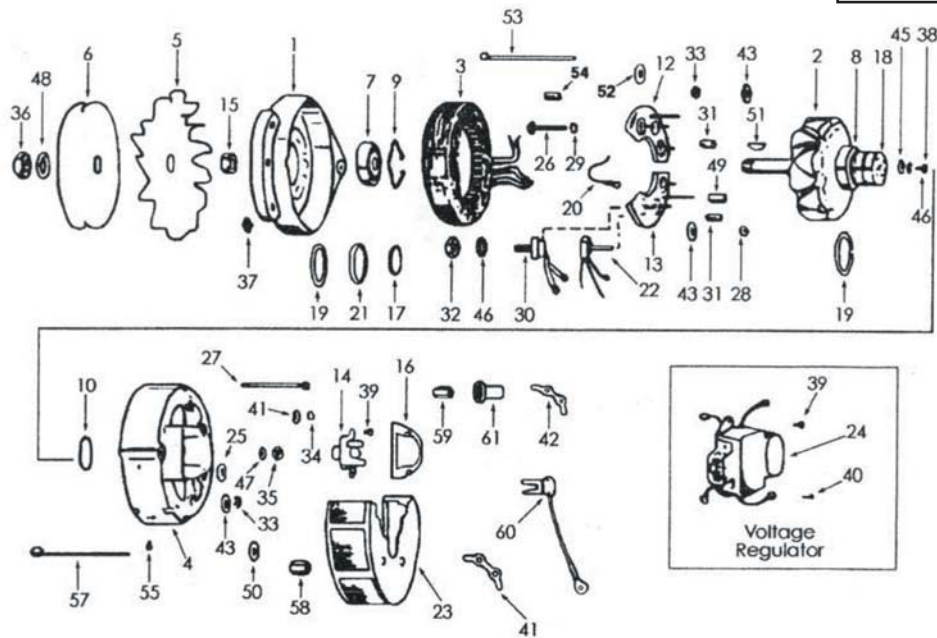
MODEL	VOLTS	AMPS
Various See Chart		



MODEL NO.	SALES NO.	1 HSNF FRONT	2 ROTOR ASSEM	3 STATOR ASSEM	4 HSNF REAR	5 FAN	6 PULLEY	7 BRNG FRONT	8 BRNG REAR	9 FR. BRNG RET	10 R. BRNG RET	11 DIODE ISOLAT.	12 DIODE REC.NEG.
8MR2025T		114-6	112-46	113-40	114-173	107-8		111-21	111-21	111-3	111-64		101-170
8MR2027T		114-6	112-46	113-40	114-68	107-8		111-21	111-21	111-3	111-64		101-170
8MR2028T	110-238	114-6	112-46	113-40	114-68			111-21	111-21	111-3	111-64		101-170
8MR2030T	110-242	114-6	112-46	113-40	114-174	107-8		111-21	111-21	111-3	111-64		101-175
8MR2033T	110-252	114-6	112-46	113-40	114-173	107-8		111-21	111-21	111-3	111-64		101-170
8MR2034L	110-243	114-177	112-50	113-9	114-173			111-21	111-21	111-3	111-64		101-178
8MR2035T	110-244	114-177	112-51	113-40	114-173			111-21	111-21	111-3	111-64		101-170
8MR2039K	110-293	114-6	112-28	113-19	114-151	107-68	107-5	111-21	111-21	111-3	111-64		101-18
8MR2048K	110-272	114-9	112-28	113-19	114-192	107-68		111-21	111-21	111-3	111-64		101-193
8MR2049K	101-358	114-24	112-28	113-19	114-192	107-68		111-21	111-21	111-3	111-64		101-193
8MR2050F	110-270	114-9	112-21	113-1	114-192	107-68		111-21	111-21	111-3	111-64		101-193
8MR2050FC		114-9	112-21	113-1	114-192	107-68		111-21	111-21	111-3	111-64		101-222
8MR2051F	110-269	114-24	112-21	113-1	114-192	107-68		111-21	111-21	111-3	111-64		101-193
8MR2058P	110-307	114-24	112-16	113-16	114-192	107-68		111-21	111-21	111-3	111-64		101-201
8MR2059T	110-310	114-206	112-40	113-40	114-173			111-21	111-21	111-3	111-64		101-170
8MR2069T	110-402	114-206	112-51	113-40	114-138	107-104		111-21	111-21	111-3	111-64		101-215
8MR2070T	110-403	114-9	112-46	113-40	114-138	107-68		111-21	111-21	111-3	111-64		101-215
8MR2071T	110-411	114-206	112-40	113-40	114-173			111-21	111-21	111-3	111-64		101-170
8MR2072LS	110-430	114-24	112-40	113-9	114-151	107-68	107-61	26853	111-21	111-3	111-64		101-18
8MR2084K	110-494	114-24	112-28	113-75	114-106	107-114		26853	26853	111-3	111-64		101-193
8MR2085K	110-488	114-24	112-28	113-75	114-106	107-114	107-48	111-21	111-21	111-3	111-64		101-193
8MR2126U		114-9	112-46	113-69	114-259	107-9		26853	26853	111-3	111-64		101-240
8MR2198LS	110-679	114-9	112-40	113-71	114-106	107-114		111-21	111-21	111-3	111-64		101-193
8MR2199KS	110-656	114-9	112-28	113-75	114-106	107-114		111-21	111-21	111-3	111-64		101-193
8MR2401U	110-534	114-9	112-46	113-69	114-259	107-114		111-21	111-21	111-3	111-64		101-249
8MR3115K	110-451	114-269	112-91	113-66	114-259	107-102		111-34	111-21	111-80	111-64		101-238

Important: The information contained in this bulletin is intended for use by trained, professional technicians who have the proper tools, equipment, and training to perform the required maintenance described above. This information is NOT intended for 'do-it-yourselfers', and you should not assume that this information applies to your equipment. If you have any questions regarding this information please visit our website at [www.prestolite.com](http://www.prestolite.com), or contact our technical service department at:

GROUP:	15A
FORM:	8MR



MODEL NO.	SALES NO.	13 DIODE RCT. POS.	14 BRUSH ASSEM	15 SPACER FAN	16 GASKET COVER	17 "V" RING	18 SL RING ASSEM.	19 SPACER	20 CABLE TACH	21 RING SEAL	22 DIODE TRIO	23 DUST SCREEN	24 VOLT. REG.
8MR2025T		101-169	103-46	120-152	103-14	111-62	112-22	120-269	116-118	111-71	101-130	114-169	105-215
8MR2027T		101-169	103-46	120-152	103-14	111-62	112-22	120-269	116-118	117-71	101-130	114-169	105-215
8MR2028T	110-238	101-169	103-46	120-152	103-14	111-62	111-22	120-269	116-118	111-71	101-130	114-169	105-215
8MR2030T	110-242	101-169	103-46	120-152	103-14	111-62	112-22	120-269		111-71	101-130	114-169	105-225
8MR2033T	110-252	101-169	103-46	120-152	103-14	111-62	112-22	120-269		111-71	101-130	114-169	105-226
8MR2034L	110-243	101-179	103-46	120-269	103-14	111-62	112-22	120-269	116-118	111-71	101-130	114-169	105-215
8MR2035T	110-244	101-169	103-46	120-263	103-14	111-62	112-22	120-269	116-118	111-71	101-130	114-169	105-215
8MR2039K	110-293	101-163	103-16	120-152	103-50		112-22				101-130		105-286
8MR2048K	110-272	101-163	103-15	120-152	103-50		112-22		116-118		101-130		105-207
8MR2049K	110-358	101-163	103-15	120-152	103-50		112-22		116-118		101-130		105-207
8MR2050F	110-270	101-163	103-15	120-152	103-50		112-22		116-118		101-130		105-207
8MR2050FC		101-223	103-15	120-152	103-50		112-22		116-118		101-221		105-207
8MR2051F	110-269	101-163	103-15	120-152	103-50		112-22		116-118		101-130		105-207
8MR2058P	110-307	101-163	103-15	120-152	103-50		112-22		116-118		101-130		105-250
8MR2059T	110-310	101-203	103-46	120-263	103-14	111-62	112-22	120-269		111-71	101-130		105-275
8MR2069T	110-402	101-241	103-46	120-263	103-14	111-62	112-22	120-269		111-71			105-280
8MR2070T	110-403	101-241	103-46	120-152	103-14	111-62	112-22	120-269		111-71			105-280
8MR2071T	110-411	101-203	103-46	120-263	103-14	111-62	112-22	120-269		111-71	101-130	114-169	105-275
8MR2072LS	110-430	101-235	103-39	120-152	103-50		112-22	120-269			101-130		105-286
8MR2084K	110-494	101-235	103-46	120-152	103-50		112-22				101-130		105-306
8MR2085K	110-488	101-235	103-46	120-152	103-50		112-22				101-130		105-306
8MR2126U		101-239	103-46	120-209	103-14		112-22	120-269					105-310
8MR2198LS	110-679	101-235	103-46	120-209	103-14		112-22	120-269			101-130		105-303
8MR2199KS	110-656	101-235	103-46	120-152	103-50		112-22				101-130		105-306
8MR2401U	110-534	101-248	103-46	120-152	103-14		112-22	120-269					105-280
8MR3115K	110-451	101-237	103-46	120-361	103-50		112-22	120-269			101-228		105-296

Important: The information contained in this bulletin is intended for use by trained, professional technicians who have the proper tools, equipment, and training to perform the required maintenance described above. This information is NOT intended for 'do-it-yourselfers', and you should not assume that this information applies to your equipment. If you have any questions regarding this information please visit our website at [www.prestolite.com](http://www.prestolite.com), or contact our technical service department at:



GROUP:	15A
FORM:	8MR

KEY NO.	SALES NO.	DESCRIPTION	8MR2025T	8MR2027T	8MR2028T	8MR2030T	8MR2033T	8MR2034L	8MR2035T	8MR2039K	8MR2048K	8MR2049K	8MR2050F	8MR2050FC	8MR2051F	8MR2058P	8MR2059T	8MR2069T	8MR2070T	8MR2071T	8MR2072LS	8MR2084K	8MR2085K	8MR2126U	8MR2198LS	8MR2199KS	8MR2401U	8MR3115K	
<b>BOLTS</b>																													
26	120-93	CARRIAGE, 10-24 x 1-1/2"								1	1	1	1		1	1						1	1		1	1			
26	120-179	CARRIAGE, 10-24 x 1.12"	1	1	1	1	1	1	1																				
27	120-86	THROUGH, 10-32 x 3-5/16"	4	4	4	4	4	4	4							4	4	4	4	4	4			4	4		4	4	
27	120-143	THROUGH, 10-32 x 3-1/8"								4	4	4											4	4		4			
27	120-1	THROUGH, 10-32 x 2-55/64"											4	4	4														
<b>INSULATORS</b>																													
25	115-10	INSULATOR, 1/4" x 3/4" OD	2	2	2	2	2	2	2	2	2	2	2	2	2	2	2	4	4	2									
29	115-7	INSULATOR, SQUARE	1	1	1	1	1	1	1	1	1	1	1	1	1	1	1	2	2	1		1	1	2	2	2	2	1	
31	115-1	SLEEVE INSULATING, NO. 10 x 19/32"	1	1	1	1	1	2	2	2	2	2	2	2	2	2	2	1	2	2	1							1	
43	115-3	INSULATOR, NO. 10 x 3/4" OD	2	2	2	2	4	4	2	4	4	4	4	4	4	2	6	6	2	3	2	2	2	2	2	2	2	2	
49	115-21	SLEEVE INSULATING, 1/4" x 1/2"	1	1	1	1	1	1	1	1	1	1	1	1	1	1	1	2	2	1									
50	115-67	WASHER, .75 x .06 x .265	2	2	2	2	2	2	2	2	2	2	2	2	2	2	2	4	4	2									
25	115-54	INSULATOR, 1/4 x .06 TK																			2	2	2	4	2	2	4	2	
31	115-27	SLEEVE, INSULATING																			1	2	2	2	2	2	1		
31	115-39	SLEEVE, INSULATING																										1	
49	115-26	SLEEVE, INSULATING																			1	1	1	2	1	2	2	1	
62	115-62	INSULATOR, RED																			2	2					2		
62	115-82	WASHER, NO. 10 x .09TK																			1								
50	115-51	WASHER, NO. 10 x .06TK																				1			3	4	4	4	4
<b>NUTS</b>																													
28	120-95	HEX, 10-24 x .090"					1	2	2												1	2	2	2	2	2	2	2	
28	120-374	HEX, M5 x .08																										5	
32	120-281	HEX, 10-32 x 3/8 x 1/8"					1	1	1							1				1									
33	120-34	HEX, 10-24	3	3	3	3	3	3	3	3	3	3	3	3	3	3	3	2	2	3									
33	120-254	HEX, M5 x .08-6G																										4	
34	120-148	HEX LOCKNUT, 10-24	3	3	3	3	3	3	3	3	3	3	3	3	3	3	3	4	4	3									
34	120-376	HEX, 10-24 x 1/8 TK																				6	8	8	4	8	8	4	
35	120-160	HEX, 1/4-20	2	2	2	2	2	2	2	2	2	2	2	2	2	2	2	4	4	2									
35	120-342	CON-LOCK 1/4-20																			2	2	2	6	2	2	6		
35	120-268	M6 x 1.0-6G																										3	
36	120-136	PULLEY MOUNTING, 5/8-18 x 5/16"	1	1	1	1	1		1	1	1	1	1	1	1	1				1	1	1	1	1	1	1	1		
36	120-292	HEX, 669-20-2B						1	1								1	1	1									1	
37	120-150	SQUARE, 10-32	4	4	4	4	4	4	4	4	4	4	4	4	4	4													
<b>SCREWS</b>																													
38	120-56	HEX HD INT. 10-32 x 5/8" W/LOCKING COMP	1	1	1	1	1	1	1	1	1	1	1	1	1						1								
38	120-343	CAP SCREW, 10-24 x 3/4"																					1						
39	120-102	TAPPING, 8-32 x 1/2"	2	2	2	2	2	2	2	2	2	2	2	2	2	2	2	2	2	2	2	2	2	2	2	2	2	2	
40	120-117	TAPPING, 8-32 x 3/4"	4	4	4	4	4	4	4	4	4	4	4	4	4	4					4								
40	120-353	TAPPING, 8-32 x 1.325								4						4	4	4			4			4		4	4		
40	120-178	TAPPING, 8-32 x 3/4"																				2	2		2	2			
<b>WASHERS</b>																													
44	120-120	FLAT METAL, NO. 10 x 7/16" OD	1	1	1	4	1	5	5	2	2	2	2	2	2	2	1				1	4	3	2	2	2	2	5	
45	120-177	FLAT METAL, NO. 10 x 5/16" OD	1	1	1	1	1	1	1	1	1	1	1	1	1	1													
46	120-111	SPLIT LOCK, NO. 10	3	3	3	3	3	3	3	3	3	3	3	3	3	3	3				3						1		
47	120-113	SPLIT LOCK, 1/4"	2	2	2	2	2	2	2	2	2	2	2	3	2	2	2	4	4	2							1		
48	120-137	SPLIT LOCK, 5/8"	1	1	1	1	1		1	1	1	1	2	1	1					1	1	1	1	1	1	1	1	1	
48	120-321	SPLIT LOCK, 669					1	1					1			1	1	1										1	
48	120-378	FLAT METAL, .203 ID x .50 OD																				3	3	4	3	3	4		
63	120-109	FLAT METAL, .266 ID x .562 OD																					1	1	2	1	2		

Important: The information contained in this bulletin is intended for use by trained, professional technicians who have the proper tools, equipment, and training to perform the required maintenance described above. This information is NOT intended for 'do-it-yourselfers', and you should not assume that this information applies to your equipment. If you have any questions regarding this information please visit our website at [www.prestolite.com](http://www.prestolite.com), or contact our technical service department at:

GROUP:	15A
FORM:	8MR

			8MR2025T	8MR2027T	8MR2028T	8MR2030T	8MR2033T	8MR2034L	8MR2035T	8MR2039K	8MR2048K	8MR2049K	8MR2050F	8MR2050FC	8MR2051F	8MR2058P	8MR2059T	8MR2069T	8MR2070T	8MR2071T	8MR2072LS	8MR2084K	8MR2085K	8MR2126U	8MR2199KS	8MR2401U	8MR3115K	
		<b>MISC.</b>																										
30	102-52	THERMAL SWITCH															1			1								
41	115-73	INSULATOR							1																			
42	115-74	BRACKET IDENT.							1																			
51	120-7	WOODRUFF KEY 5	1	1	1	1	1			1	1	1	1	1	1				1		1	1	1	1	1	1	1	
51	120-241	WOODRUFF KEY																									1	
52	115-51	INSULATOR #10																									6	
52	115-66	ARMITE INSULATOR	6	6	6	6	6	6	6								6	6	6	6								
53	120-227	NYLON STRAP, 5.5"	2	2	2	2	2	2	2							2	2	2	2									
54	120-278	CONNECTOR STRAP CRIMP, .37" x .22	6	6	6	6	6	6	6							6	6	6	6									
57	120-275	NYLON STRAP, 12"	1	1	1	1	1	1	1												1							
58	120-276	SLEEVE, 1/4-20 x .81"	1	1	1	1	1	1	1								1			1								
59	120-277	SLEEVE, 10-24 x .86"	1	1	1	1	1	1	1								1			1								
60	102-40	CAPACITOR, 5mFd						1	1								1	1	1	1	1	1	1	1	1	1	1	
60	102-026	CAPACITOR, 5mFd								1	1		1	1	1													
61	120-151	CAP STUD									1	1	1	1	1													
61	120-287	CAP STUD																				1	2	2	1		1	

Important: The information contained in this bulletin is intended for use by trained, professional technicians who have the proper tools, equipment, and training to perform the required maintenance described above. This information is NOT intended for 'do-it-yourselfers', and you should not assume that this information applies to your equipment. If you have any questions regarding this information please visit our website at [www.prestolite.com](http://www.prestolite.com), or contact our technical service department at: