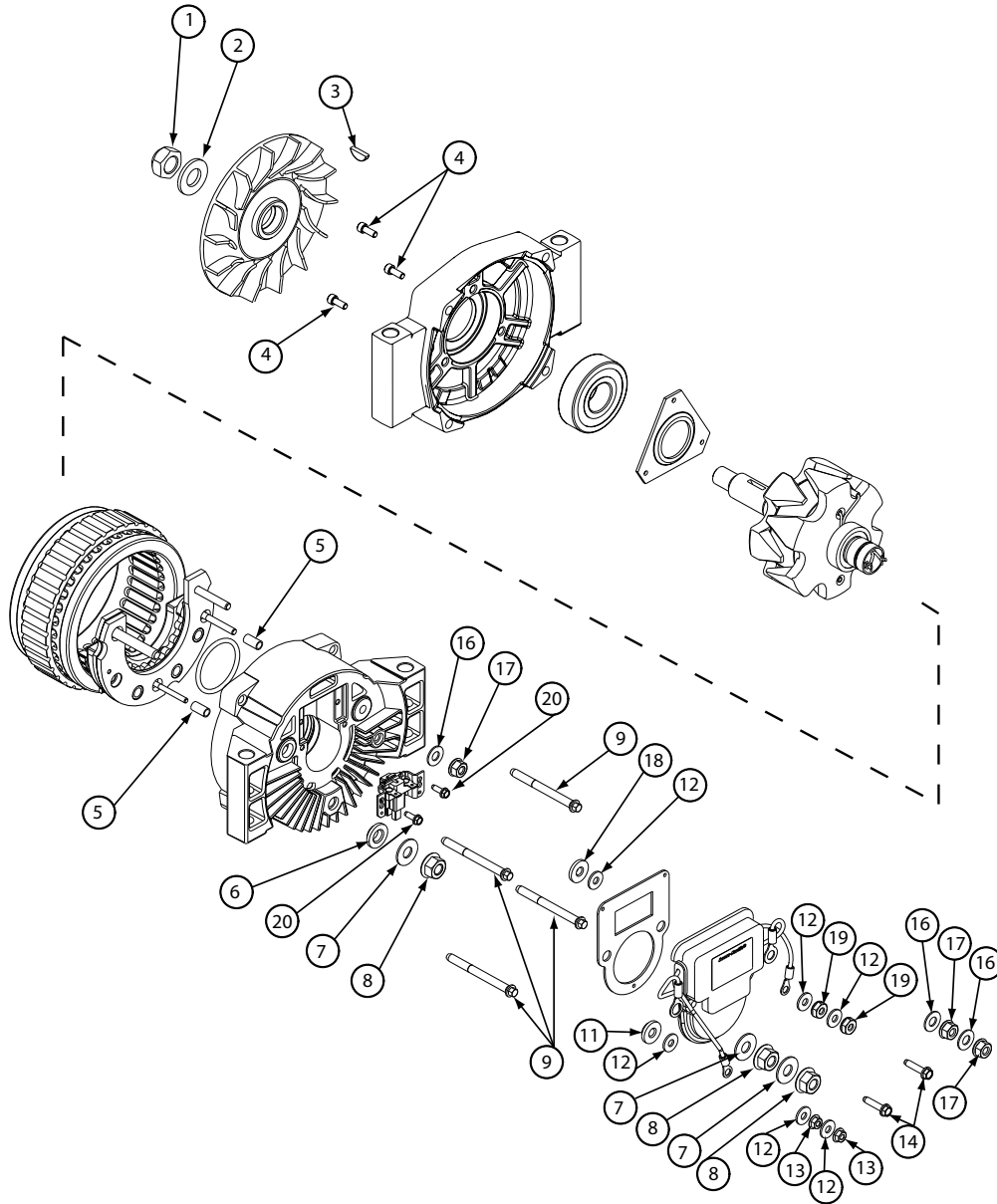
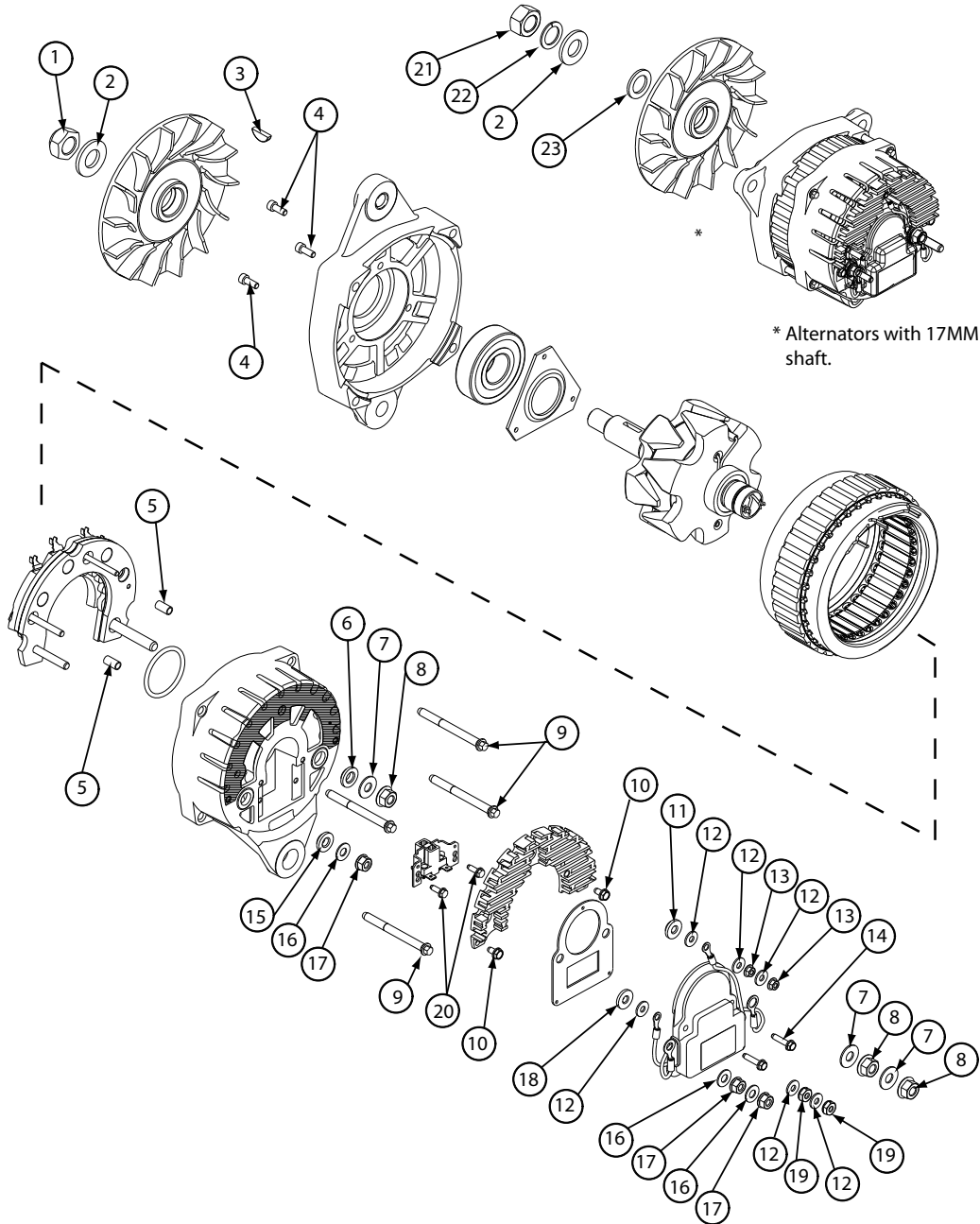


Source: Leece-Neville Heavy Duty Systems Division - Arcade, NY USA  
 Date: September 19, 2008  
 Bulletin No: TSB-3019  
 Models: MDA/ MDP Alternators  
 Subject: Hardware Kit for MDA/ MDP Alternators K212103980S



**Important:** The information contained in this bulletin is intended for use by trained, professional technicians who have the proper tools, equipment, and training to perform the required maintenance described above. This information is NOT intended for 'do-it-yourselfers', and you should not assume that this information applies to your equipment. If you have any questions regarding this information please visit our website at [www.prestolite.com](http://www.prestolite.com), or contact our technical service department at:

Date: September 19, 2008  
Bulletin No: TSB-3019



**Note:** All of these components are part of the hardware kit and not available for individual purchase.

**Important:** The information contained in this bulletin is intended for use by trained, professional technicians who have the proper tools, equipment, and training to perform the required maintenance described above. This information is NOT intended for 'do-it-yourselfers', and you should not assume that this information applies to your equipment. If you have any questions regarding this information please visit our website at [www.prestolite.com](http://www.prestolite.com), or contact our technical service department at:

Date: September 19, 2008  
 Bulletin No: TSB-3019

Description	Qty	Key	Where used
Nut, lock	1	1	Pulley nut
Washer, flat	1	2	Pulley nut flat washer
Woodruff Key	1	3	Key for pulley
Screw, #10-32	3	4	Front bearing retainer screws
Screw, #10-32	3	4	Front bearing retainer screws
Sleeve, insulating	2	5	Insulators for D+ and AC terminals
Insulator washer	1	6	Positive output stud insulator
Washer, guard 5/16	3	7	Positive output stud washer
Nut, M8	3	8	Positive output stud nut
Thru Bolts (2.75")	4	9	Holds alternator together
Thru Bolts (2.50")	4	9	Holds alternator together
Screw, tap #10-32	2	10	Holds heat sink to rear housing
Insulator washer	1	11	D+ stud insulator
Washer, flat #10	6	12	Washers for D+ and AC terminals
Nut, con lock, M4	2	13	D+ stud nuts
Screw, tap #8-32	2	14	Regulator attaching screws
Insulator washer	1	15	Negative output stud insulator
Washer, flat 1/4"	3	16	Negative output stud flat washer
Nut, Con lock, M6	3	17	Negative output stud Con nut
Insulator washer	1	18	AC stud insulator
Nut, Con lock, M5	2	19	AC output stud Con nut
Screw, tap # 8-32	2	20	Brush attaching screws
Hex nut, M16	1	21	Pulley nut
Washer, lock	1	22	Pulley nut, lock washer
Spacer fan	1	23	Pulley spacer

**Important:** The information contained in this bulletin is intended for use by trained, professional technicians who have the proper tools, equipment, and training to perform the required maintenance described above. This information is NOT intended for 'do-it-yourselfers', and you should not assume that this information applies to your equipment. If you have any questions regarding this information please visit our website at [www.prestolite.com](http://www.prestolite.com), or contact our technical service department at: