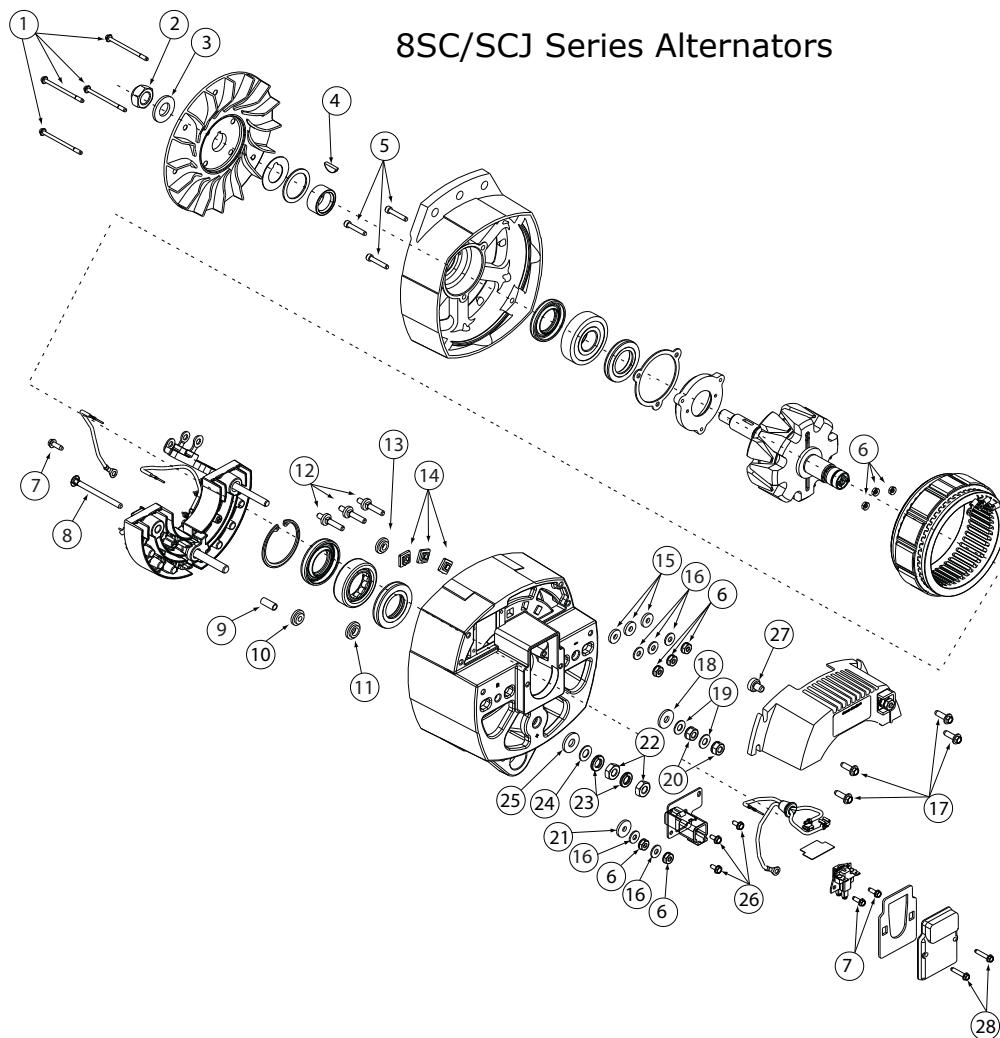


Source: Leece-Neville Heavy Duty Systems Division - Arcade, NY USA
Date: July 8, 2008
Bulletin No: TSB-3018
Models: 8SC/SCJ
Subject: Hardware Kit for 8SC/SCJ alternators K212103996S

K212103996S

NOTE: All of these components are part of the hardware kit and not available for individual purchase.

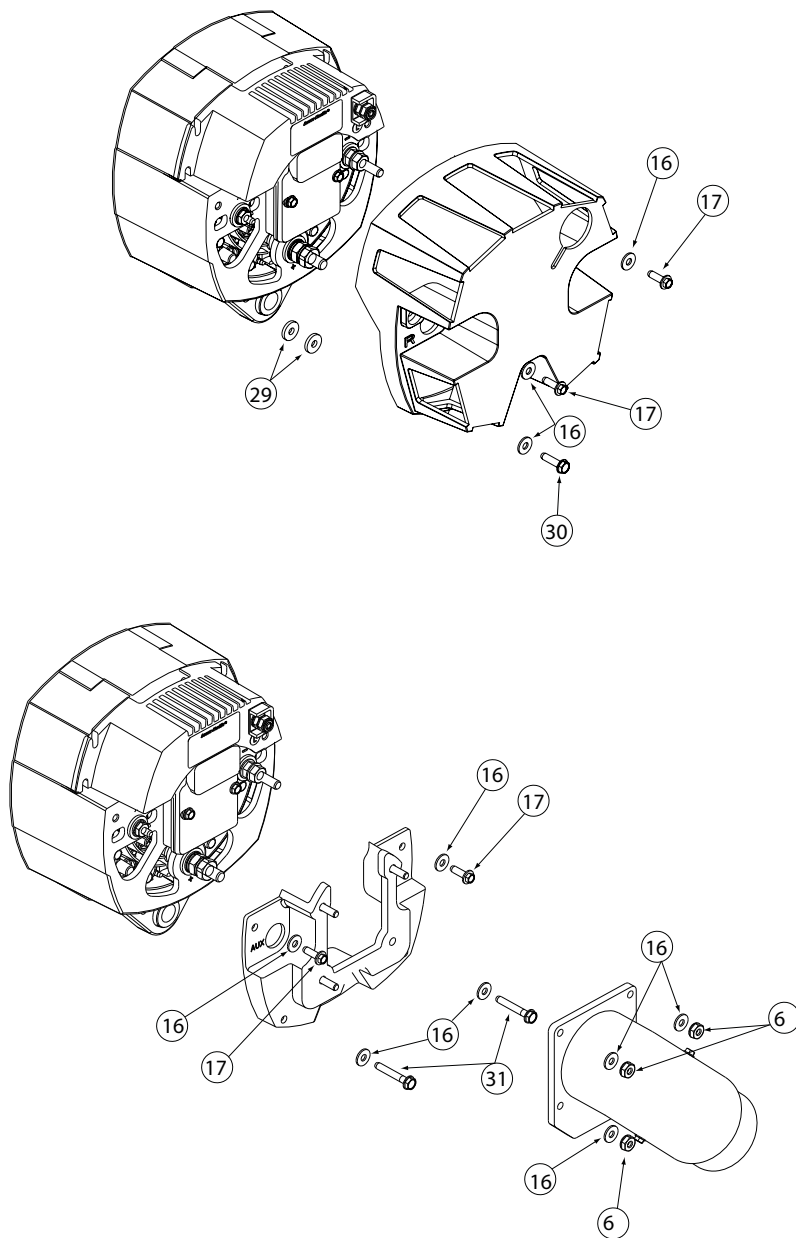


Important: The information contained in this bulletin is intended for use by trained, professional technicians who have the proper tools, equipment, and training to perform the required maintenance described above. This information is NOT intended for 'do-it-yourselfers', and you should not assume that this information applies to your equipment. If you have any questions regarding this information please visit our website at www.prestolite.com, or contact our technical service department at:

Date: July 8, 2008

Bulletin No: TSB-3018

8SC/SCJ series Hardware - K212103996S



Important: The information contained in this bulletin is intended for use by trained, professional technicians who have the proper tools, equipment, and training to perform the required maintenance described above. This information is NOT intended for 'do-it-yourselfers', and you should not assume that this information applies to your equipment. If you have any questions regarding this information please visit our website at www.prestolite.com, or contact our technical service department at:

Date: July 8, 2008

Bulletin No: TSB-3018

Description	Qty.	Key	Where used
BOLT, THRU-10-32 2.86L	4	1	Holds alternator together
5/8-18NF-2B PULLEY LCK	1	2	Pulley nut
WASHER FLAT	1	3	Pulley nut flat washer
KEY, WOODRUFF #8	1	4	Pulley woodruff key
BRG RET SCREW	3	5	Front bearing retainer screws
NUT CON LOCK 10-24 3/8	8	6	Stator/ output terminal nuts
SCR TPG 8-32X.50 1/4HD	3	7	Brush/ rectifier screws
RNC-BOLT M8-1.25 2.13L	1	8	D+ / AC bolt
INSULATOR SLEEVE	1	9	D+ / AC bolt insulator
WSHR INSL #10 BOLT	1	10	D+ / AC bolt insulator
WSHR INSL 5/16 BOLT	1	11	B+ bolt insulator
STUD, DOUBLE ENDED	3	12	AC bolts
WSHR INSL 1/4 BOLT	1	13	B- bolt insulator
INSULATOR	3	14	AC bolts insulator
WASHER, GPO-1 INSULATING	3	15	AC bolts insulator
WASHER FLT.203-.500-.0	11	16	Output studs washers
SCR TPG 10-32X.62 1/4H	6	17	Attaching bolts for regulator, screen and intake nozzle
WSHR INSL .09THX.75	1	18	B- bolt insulator
WSHR FLT .266-.562-	2	19	B- bolt flat washer
NUT CONL 1/4-28-3/16TK	2	20	B- bolt nuts
NUT, M6	2	20	B- bolt nuts (Metric)
WSHR INSL .09THX.69	1	21	D+ / AC bolt insulator
NUT 5/16-24X9/16X7/32	2	22	B+ bolt nuts
NUT, M8	2	22	B+ bolt nuts
WSHR LCK 5/16 MD SPT	2	23	B+ bolt lock washers
WSHR FLT .328-.625-	1	24	B+ bolt flat washer
WSHR INSL .09THX.81	1	25	B+ bolt insulator
SCR TPG 6-32X11/32 PHW	3	26	Terminal board/ connecter screws
CAP, STUD	1	27	AC stud insulating cap
SCR TPG 8-32X.88 1/4HD	2	28	Brush cover screws
WSHR INSL #10.09THX9/1	2	29	Screen spacer washers
SCREW, TAP, #10-32 X 3/4	1	30	Screen attaching screw
Screw #10-32 X 1 1/4"	2	31	Intake nozzle attaching screws

Important: The information contained in this bulletin is intended for use by trained, professional technicians who have the proper tools, equipment, and training to perform the required maintenance described above. This information is NOT intended for 'do-it-yourselfers', and you should not assume that this information applies to your equipment. If you have any questions regarding this information please visit our website at www.prestolite.com, or contact our technical service department at: