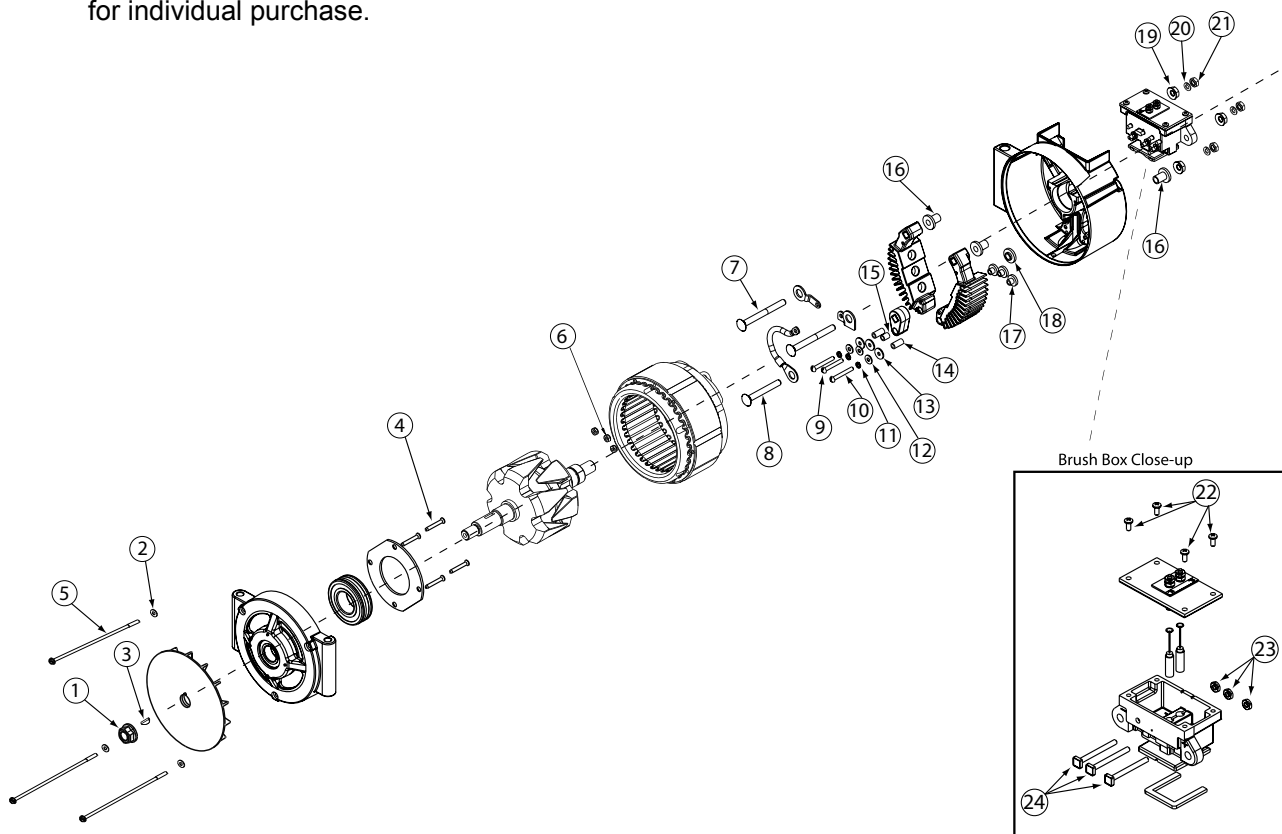


Source: Leece-Neville Heavy Duty Systems Division - Arcade, NY USA
 Date: February 5, 2008
 Bulletin No: TSB-3014
 Models: 4000 Series Without Regulators / Rectifiers
 Subject: Hardware Kit for 4000 series T-mount alternators K212104771S for AA series units without regulator.

K212104771S

4000 Series AA T-Mount

NOTE: All of these components are part of the hardware kit and not available for individual purchase.



Important: The information contained in this bulletin is intended for use by trained, professional technicians who have the proper tools, equipment, and training to perform the required maintenance described above. This information is NOT intended for 'do-it-yourselfers', and you should not assume that this information applies to your equipment. If you have any questions regarding this information please visit our website at www.prestolite.com, or contact our technical service department at:

Date: February 5, 2008

Bulletin No: TSB-3007

4000 Series T-Mount AA series Hardware K212104771S

Description	Qty.	Key	Where used
NUT, 5/8-18, LOCK	1	1	Fan Nut
WASHER, FLAT#10	3	2	Thru-Bolt flat washer
KEY, WOODRUFF #8	1	3	Shaft key
SCREW, THREAD FORMING	4	4	Front housing retainer plate holding screw
THRU.BOLT #10-32	3	5	Thru-Bolts holds Alternator together
NUT	3	6	Hold stator leads brush box
BOLT 5/16 X 3-1/4"	2	7	AC bolt
BOLT 5/16 X 2-1/2"	1	8	AC bolt
SCREW #10 X 1-3/8"	1	9	Attaches AC bolt holder to alternator rear housing.
Screw	2	10	Attaches rectifier heatsink to rear housing.
LOCKWASHER	3	11	Lockwashers for bolts that attach AC bolt holder and rectifier heatsink
WASHER FLT.203-.500-.0	3	12	Flatwashers for bolts that attach AC bolt holder and rectifier heatsink
Washer	3	13	Insulating washer for bolts that attach AC bolt holder and rectifier heatsink
Bushing	2	14	Insulating bushing for bolts that attach rectifier heatsink
BUSHING, INSULATION	1	15	Insulating bushing for bolt that attach AC bolt holder to alternator rear housing
Bushing	3	16	Insulating bushing for AC bolts
Bushing	3	17	Insulates rectifier heatsinks from alternator rear housing
Bushing	1	18	Insulates AC bolt holder from alternator rear housing
NUT, TENZ - 5/16-18	3	19	Secure AC bolts to rear housing
LOCKWASHER	3	20	Lockwasher for customer cables
HEX NUT	3	21	Nut to attach customer cables
SCREW	4	22	Screws that attach remote regulator cover
NUT, STEEL #10-32	3	23	Nuts that hold AC taps in brush box
Stud	3	24	AC bolt

Important: The information contained in this bulletin is intended for use by trained, professional technicians who have the proper tools, equipment, and training to perform the required maintenance described above. This information is NOT intended for 'do-it-yourselfers', and you should not assume that this information applies to your equipment. If you have any questions regarding this information please visit our website at www.prestolite.com, or contact our technical service department at: