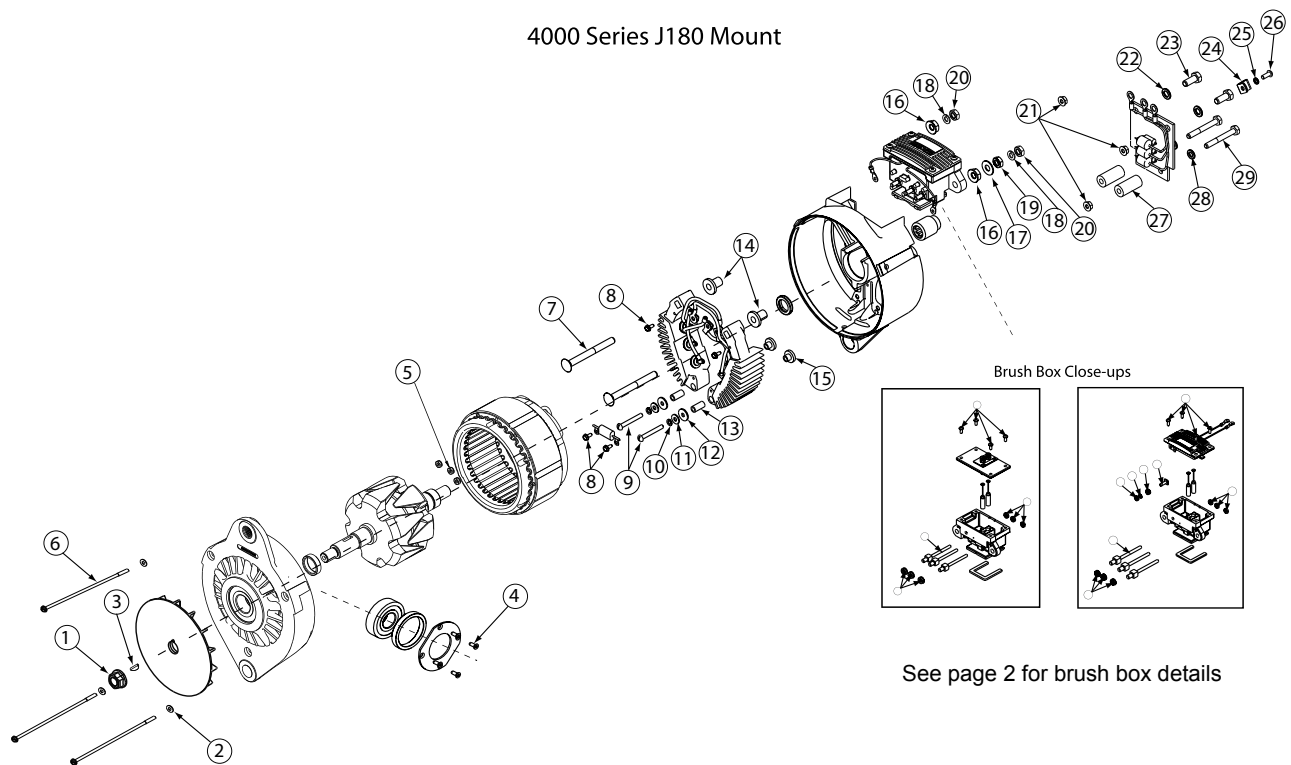


Source: Leece-Neville Heavy Duty Systems Division - Arcade, NY USA  
 Date: January 18, 2008  
 Bulletin No: TSB-3011  
 Models: 4000 Series 6 Diode Rectifier Alternators  
 Subject: Hardware Kit for 4000 6 Diode Series Alternators K212104773S

This series covers 6 diode rectified alternators less than 185 Amps and either remote rectified or remote regulated models requiring the R031101136S capacitor.

NOTE: All of these components are part of the hardware kit and not available for individual purchase.

4000 Series J180 Mount

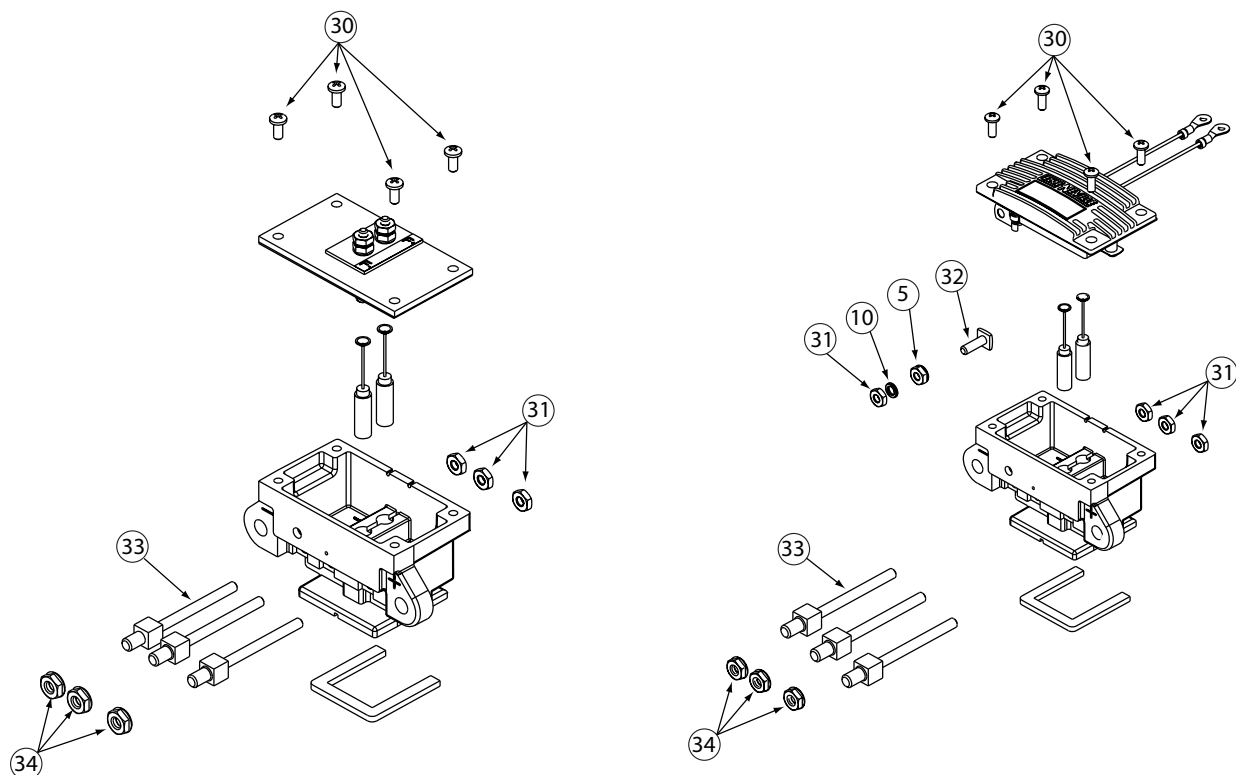


See page 2 for brush box details

**Important:** The information contained in this bulletin is intended for use by trained, professional technicians who have the proper tools, equipment, and training to perform the required maintenance described above. This information is NOT intended for 'do-it-yourselfers', and you should not assume that this information applies to your equipment. If you have any questions regarding this information please visit our website at [www.prestolite.com](http://www.prestolite.com), or contact our technical service department at:

Date: January 18, 2008

Bulletin No: TSB-3011



**Important:** The information contained in this bulletin is intended for use by trained, professional technicians who have the proper tools, equipment, and training to perform the required maintenance described above. This information is NOT intended for 'do-it-yourselfers', and you should not assume that this information applies to your equipment. If you have any questions regarding this information please visit our website at [www.prestolite.com](http://www.prestolite.com), or contact our technical service department at:

Date: January 18, 2008

Bulletin No: TSB-3011

Description	Qty.	Key	Where used
NUT, 5/8-18, LOCK	1	1	Fan Nut
WASHER, FLAT#10	3	2	Thru-Bolt flat washer
KEY, WOODRUFF #8	1	3	Shaft key
SCREW, THREAD FORMING	4	4	Front housing retainer plate holding screw
NUT	4	5	Internal stator nuts to AC-taps
THROUGH BOLT	3	6	Thru-Bolt Hold Alternator Together
SCREW TERMINAL 5/16-18 x 3 1/4	2	7	Positive and Negative Output Studs
SCREW, TAP #6-32X11/32	4	8	Hold regulator sense leads and capacitor to rectifier rings
SCREW #10-32 X 1 1/2	2	9	Holds rectifier ring to rear housing
WASHER, LOCK #10	3	10	Lock washer for bolt (Key 9)
WASHER, FLAT #10	2	11	Flat washer for bolt (Key 9)
WASHER INSULATING	2	12	Insulates bolt (Key 9) from rectifier rings
BUSHING, INSULATING	2	13	Insulates bolt (Key 9) from rectifier rings
BUSHING, INSULATING	2	14	Insulates output studs and rectifier rings from rear housing
BUSHING, INSULATING	2	15	Insulates rectifier ring from rear housing
NUT, CON LOCK, 5/16-18	2	16	Holds positive and negative studs into rear housing
WASHER GUARD, 5/16	1	17	Washer used on negative output stud
WASHER, LOCK 5/16	2	18	Lock washer for positive and negative output stud
HEX NUT, 5/16-18 UNC	1	19	Jam nut used on negative output stud
HEX NUT, 5/16-18 UNC	2	20	Nut used to attach customer cables to alternator output studs
NUT, #10-32 FLANGE LOCK	3	21	Thru Bolts nuts
WASHER, LOCK, 5/16"	2	22	Lock washer for (Key 23)
SCREW 5/16-18 X 3/4 HEX HD	2	23	Attaches capacitor to alternator
CLAMP	1	24	Secure capacitor wires to alternator
WASHER LOCK, #10	1	25	Lock washer for (Key 26)
SCREW #10-32 X 1/2 RD HD	1	26	Attaches clamp (Key 24) to alternator
SPACER	2	27	Spacer for external capacitor
WASHER, LOCK 1/4"	2	28	Lock washer for bolt (Key 29)
SCREW 1/4-20 X 2 HEX HD	2	29	Attaches capacitor to alternator
SCREW #8-32 X 3/8"	4	30	Attaches regulator to brush box
SCREW #8-32 X 7/16"	4	30	Attaches regulator to brush box
HEX NUT, #10-32 UNF	4	31	Holds AC studs into brush box
SCREW #10-32 X 5/8" SQ HD	1	32	Ignition stud
STUD, TERMINAL	3	33	AC Studs
NUT, CON LOCK, 1/4-20	3	34	AC Stud Nuts

**Important:** The information contained in this bulletin is intended for use by trained, professional technicians who have the proper tools, equipment, and training to perform the required maintenance described above. This information is NOT intended for 'do-it-yourselfers', and you should not assume that this information applies to your equipment. If you have any questions regarding this information please visit our website at [www.prestolite.com](http://www.prestolite.com), or contact our technical service department at: