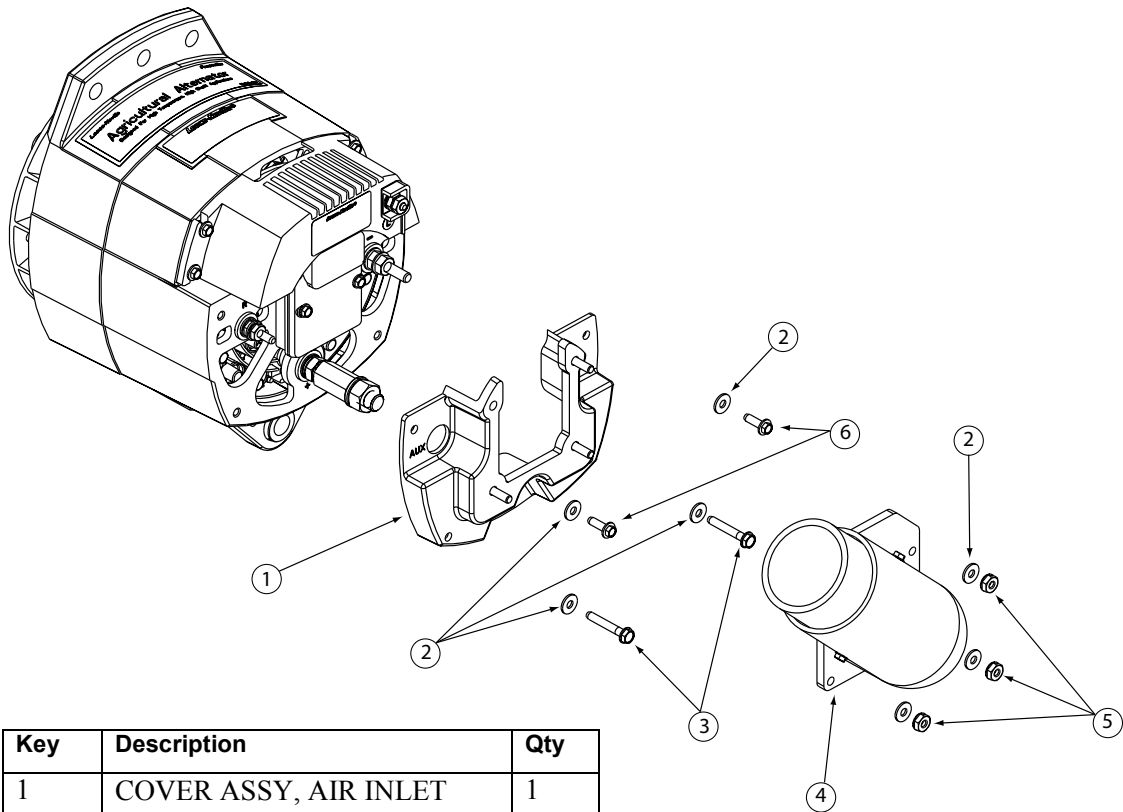


Source: Leece-Neville Heavy Duty Systems Division - Arcade, NY USA  
 Date: February 1, 2008  
 Bulletin No: TSB-3008  
 Models: 8SC2236/ 8SC2202V-CA, SCJ3218  
 Subject: A544104734S Intake Nozzle Kit

**Intake Nozzle Parts Replacement Kit for 8SC2236/ 8SC2202V-CA  
 And Kit for SCJ3218/ Thomas Bus Part Number J600851  
 Case New Holland Part Numbers 87645142/ 403782A1**



Key	Description	Qty
1	COVER ASSY, AIR INLET	1
2	WASHER #10	7
3	SCREW, TAP #10-32 X 1 1/4"	2
4	NOZZLE ASSY, AIR INLET	1
5	NUT, CON LOCK, M5	3
6	SCREW, TAP #10-32 X .615"	2

**Important:** The information contained in this bulletin is intended for use by trained, professional technicians who have the proper tools, equipment, and training to perform the required maintenance described above. This information is NOT intended for 'do-it-yourselfers', and you should not assume that this information applies to your equipment. If you have any questions regarding this information please visit our website at [www.prestolite.com](http://www.prestolite.com), or contact our technical service department at: