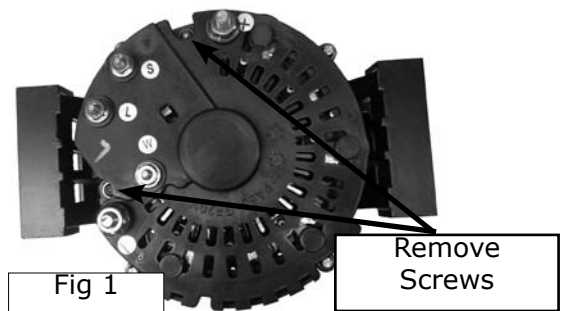


Source: Leece-Neville Heavy Duty Systems Division - Arcade, NY USA
Date: July 29, 2011
Bulletin No: TSB-1148
Models: AVI160J2004, AVI160J2008, AVI160P2003, AVI160P2007
Subject: Regulator/ brush assembly change procedure

Step by step procedure on how to replace the regulator/ brush holder assembly on AVI 160 J-180 and Pad Mount alternators.

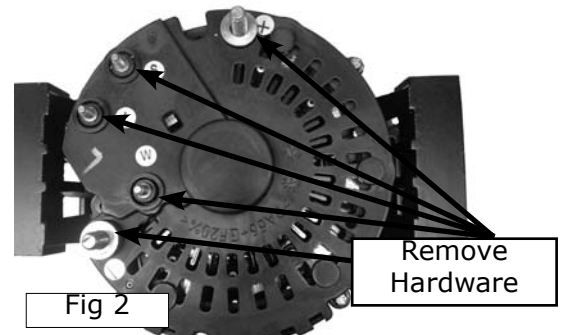
Step 1: Remove rear cover mounting screws. (Fig 1)

Note: Keep cover mounting screws as these will be reused.



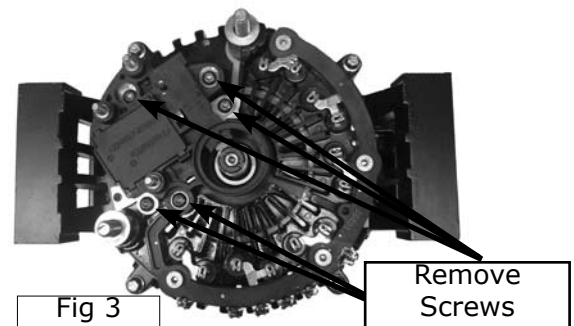
Step 2: Remove terminal hardware and rear cover. (Fig 2)

Note: Keep hardware and cover as these will be reused.



Step 3: Remove regulator mounting screws and lift regulator/ brush assembly from alternator. (Fig 3)

Note: New regulator mounting screws are furnished with the replacement voltage regulator.



Important: The information contained in this bulletin is intended for use by trained, professional technicians who have the proper tools, equipment, and training to perform the required maintenance described above. This information is NOT intended for 'do-it-yourselfers', and you should not assume that this information applies to your equipment. If you have any questions regarding this information please visit our website at www.prestolite.com, or contact our technical service department at:

Date: July 29, 2011

Bulletin No: TSB-1148

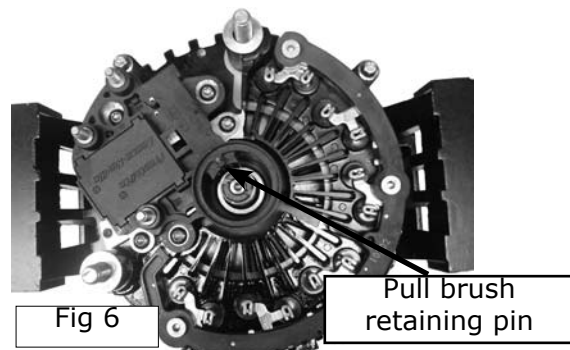
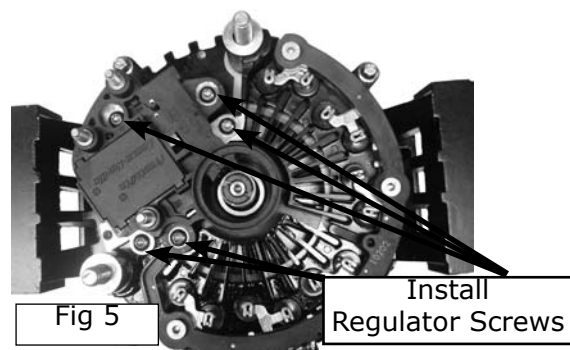
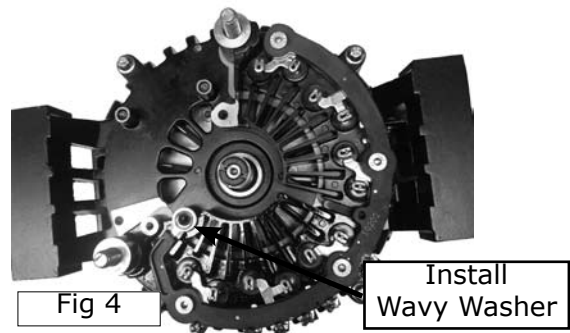
Step 4: Install wavy washer. (Fig 4)

Note: Wavy washer is furnished with replacement regulator

Step 5: Insert replacement voltage regulator using new regulator mounting screws furnished with replacement regulator. (Fig 5)

Torque screws to: 2.25 +/- 0.3 Nm
20 +/- 2.7 Lb-in.

Step 6: Pull brush retaining pin and discard. (Fig 6)



Important: The information contained in this bulletin is intended for use by trained, professional technicians who have the proper tools, equipment, and training to perform the required maintenance described above. This information is NOT intended for 'do-it-yourselfers', and you should not assume that this information applies to your equipment. If you have any questions regarding this information please visit our website at www.prestolite.com, or contact our technical service department at:

Date: July 29, 2011

Bulletin No: TSB-1148

Step 7: Install rear cover using original cover mounting screws. (Fig 7)

Torque screws to: 2.25 +/- 0.3 Nm
20 +/- 2.7 Lb-in.

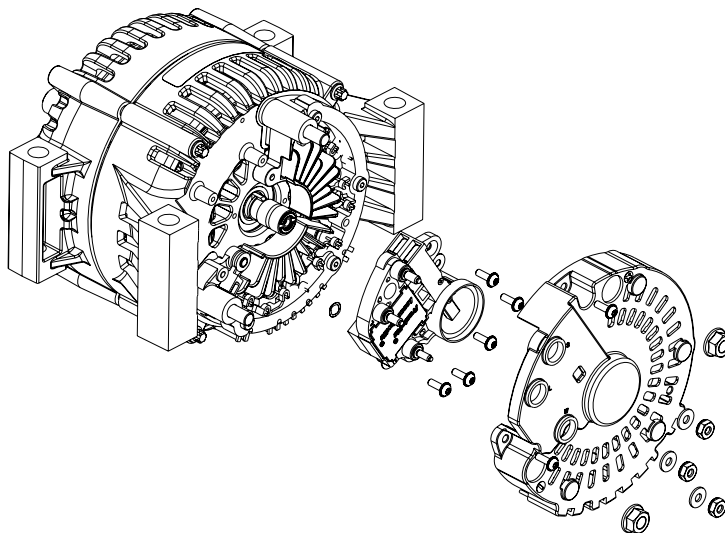
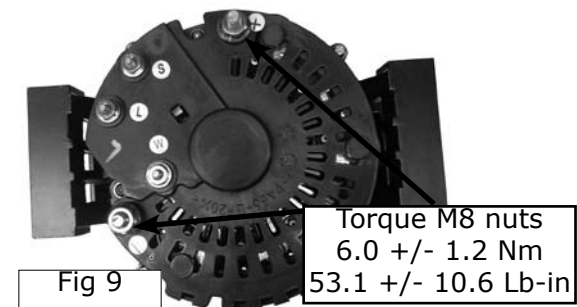
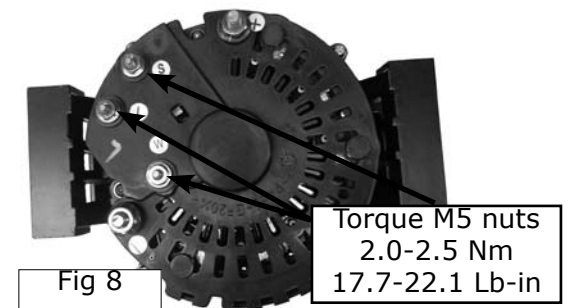
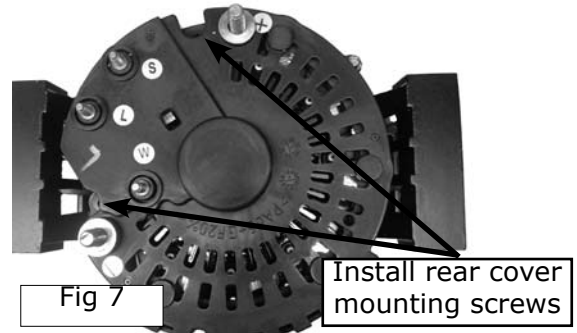
Step 8: Install M5 terminal hardware. (Fig 8)

Torque screws to: 2.0 - 2.5 Nm
17.7 - 22.1 Lb-in.

Step 9: Install M8 Nuts. (Fig 9)

Torque screws to: 6.0 +/- 1.2 Nm
53.1 +/- 10.6 Lb-in.

Step 10: Conversion complete.



Important: The information contained in this bulletin is intended for use by trained, professional technicians who have the proper tools, equipment, and training to perform the required maintenance described above. This information is NOT intended for 'do-it-yourselfers', and you should not assume that this information applies to your equipment. If you have any questions regarding this information please visit our website at www.prestolite.com, or contact our technical service department at: