

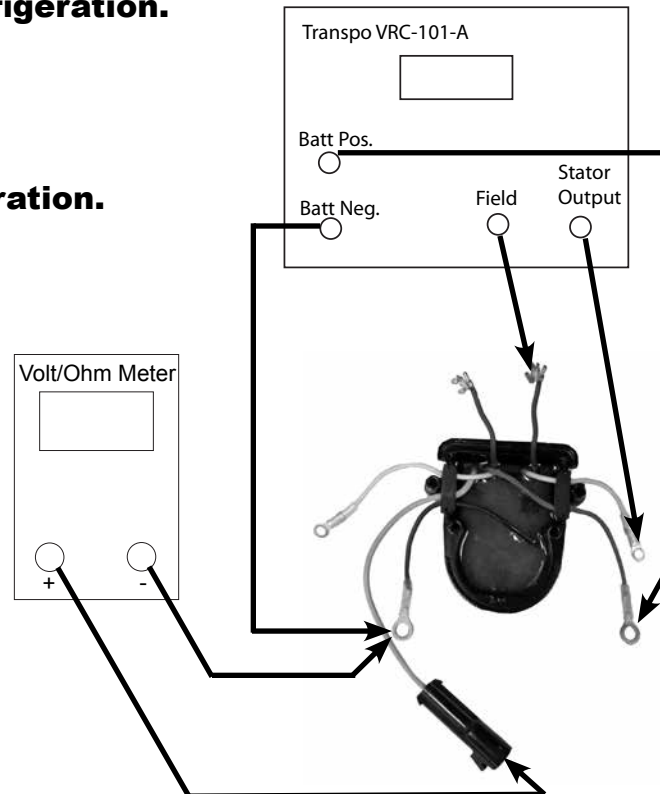
Source: Leece-Neville Heavy Duty Systems Division - Arcade, NY USA
Date: JULY 7, 2017
Bulletin No: TSB-1140
Models: 8RG2115, 30-00409-29, 30-00409-44 and 30-00409-45
Subject: Regulator test and connection instructions for Transpo VRC 101A tester.

Transpo VRC 101-A setup configuration.

DC Volt Range Switch: 12V
Field Circuit Switch: A position
Field Load Switch: 3 amps

Volt/Ohm meter setup configuration.

DC Voltage
Range: Auto/ 20V scale



Test Procedure:

Make sure all electrical connections made to the regulator are isolated to prevent shorting. Failure to do this can result in damage to the tester or regulator. When properly connected, turn on the regulator tester and volt/ohm meter and observe the voltage readings on both meters. A good regulator will have a voltage reading of 14.3V +/- .2 at both meters. If the voltage does not fall into these parameters then the regulator is defective and needs to be replaced.

Important: The information contained in this bulletin is intended for use by trained, professional technicians who have the proper tools, equipment, and training to perform the required maintenance described above. This information is NOT intended for 'do-it-yourselfers'; and you should not assume that this information applies to your equipment. If you have any questions regarding this information please visit our website at www.prestolite.com, or contact our technical service department at: