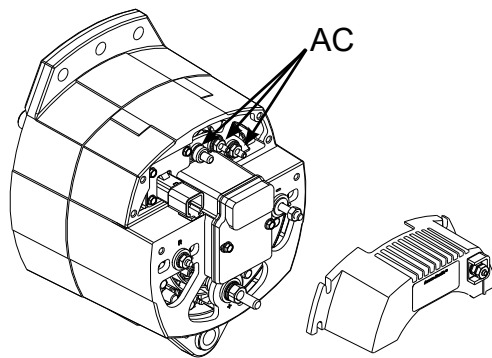
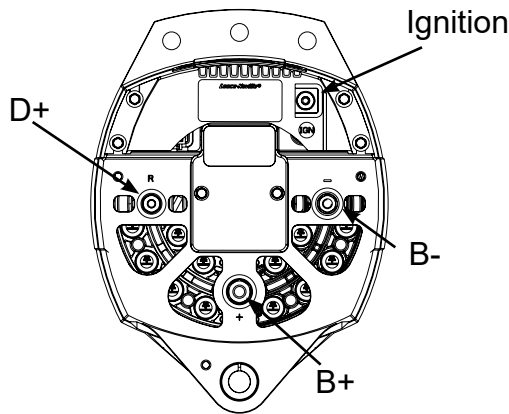
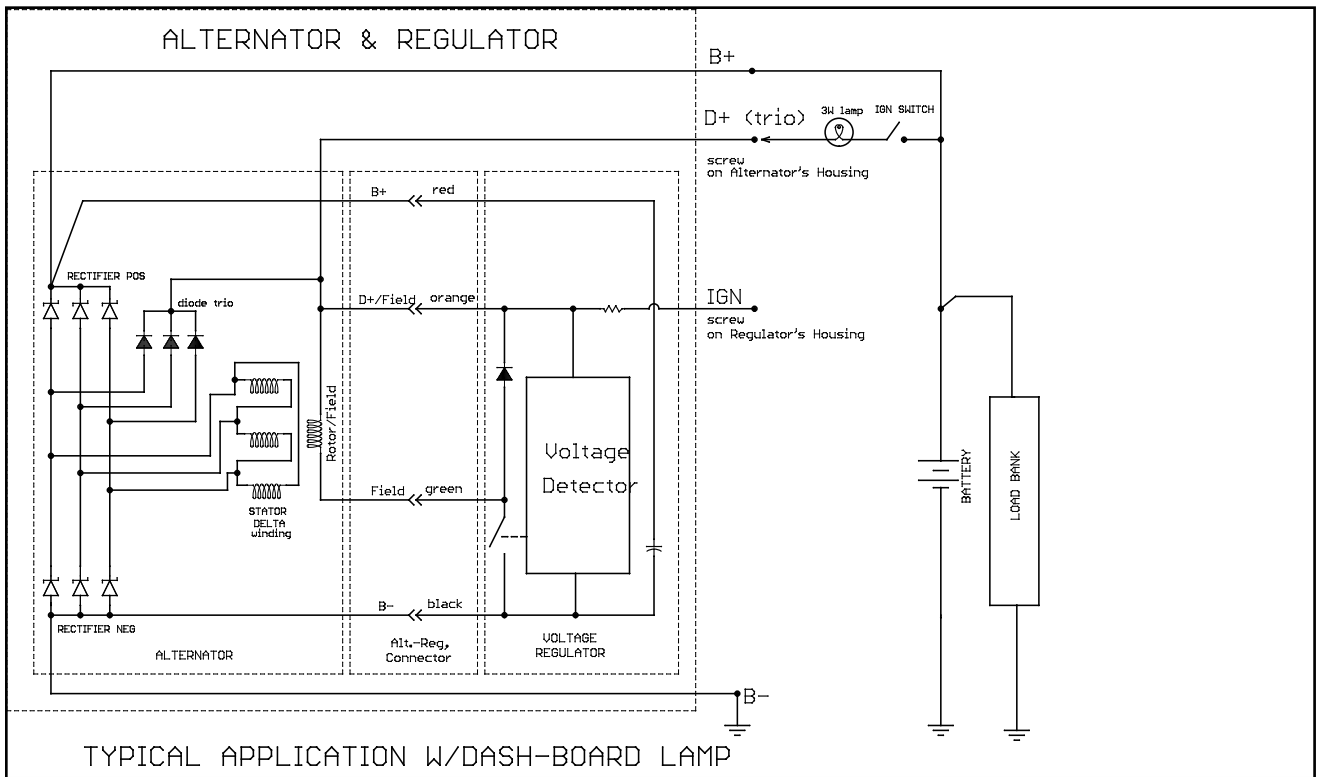


Source: Leece-Neville Heavy Duty Systems Division - Arcade, NY USA
 Date: JULY 7, 2017
 Bulletin No: TSB-1139
 Models: 8SC
 Subject: Wiring diagram



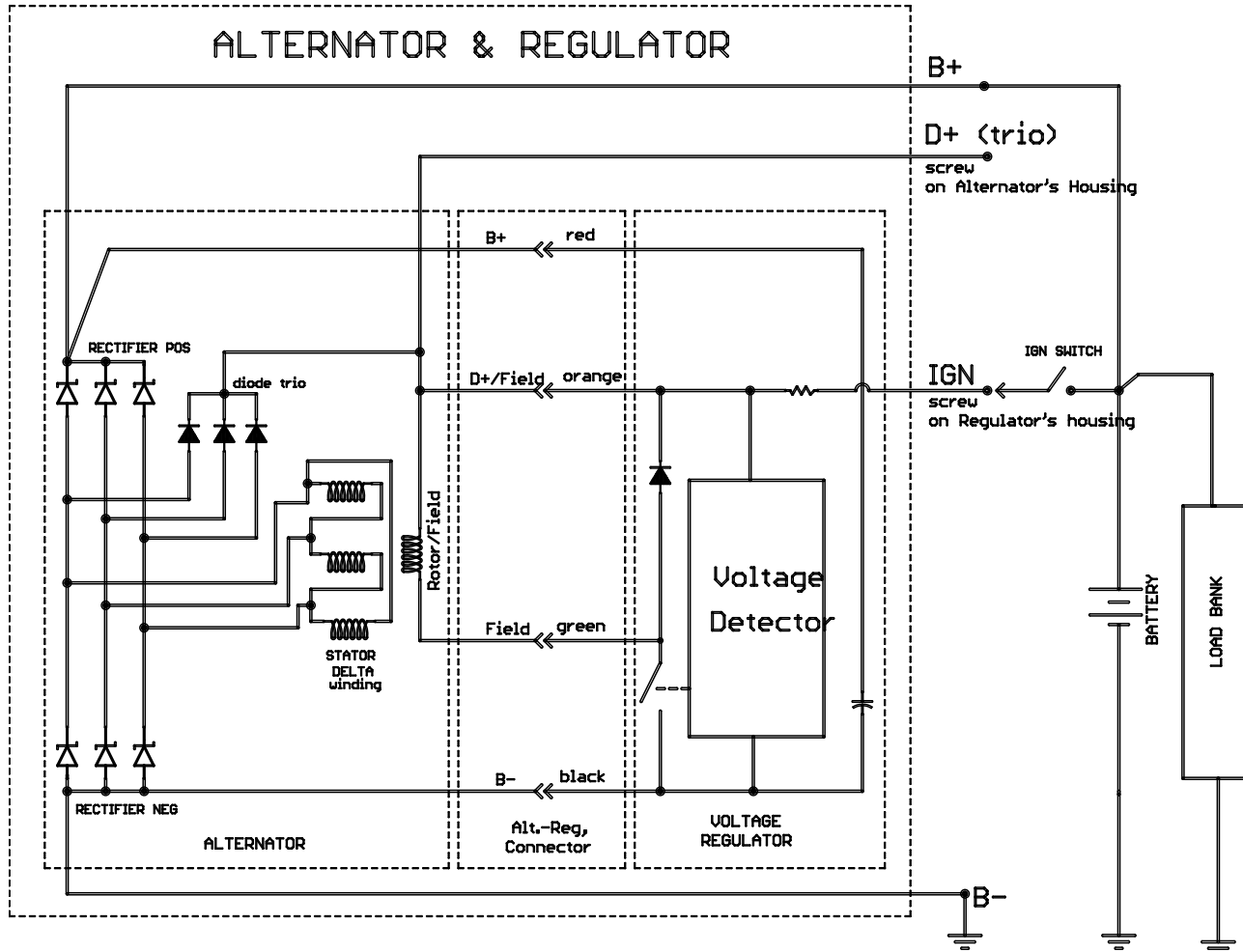
- Models covered:**
- 8SC3009ZA
 - 8SC3009ZAC
 - 8SC3014U
 - 8SC3015U
 - 8SC3019U
 - 8SC3029Z
 - 8SC3068V
 - 8SC3068VC

Note: AC terminals located beneath the voltage regulator.



Important: The information contained in this bulletin is intended for use by trained, professional technicians who have the proper tools, equipment, and training to perform the required maintenance described above. This information is NOT intended for 'do-it-yourselfers'; and you should not assume that this information applies to your equipment. If you have any questions regarding this information please visit our website at www.prestolite.com, or contact our technical service department at:

Date: August 20, 2009
Bulletin No: TSB-1139



TYPICAL APPLICATION W/IGNITION SWITCH

Please refer to TSB-1001 for recommended wire size.

Important: The information contained in this bulletin is intended for use by trained, professional technicians who have the proper tools, equipment, and training to perform the required maintenance described above. This information is NOT intended for 'do-it-yourselfers'; and you should not assume that this information applies to your equipment. If you have any questions regarding this information please visit our website at www.prestolite.com, or contact our technical service department at: