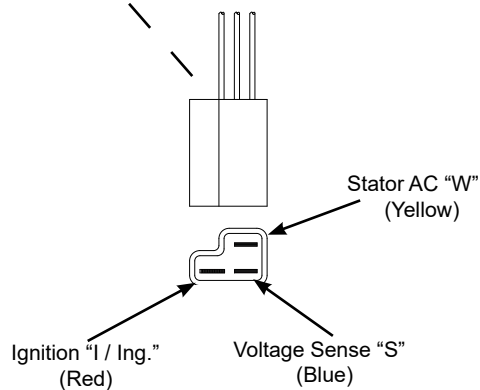
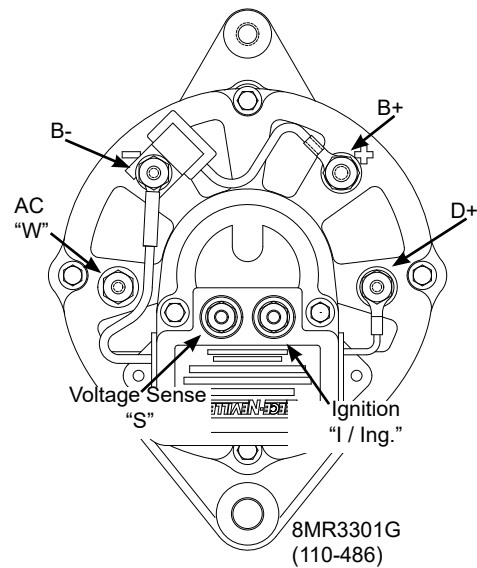
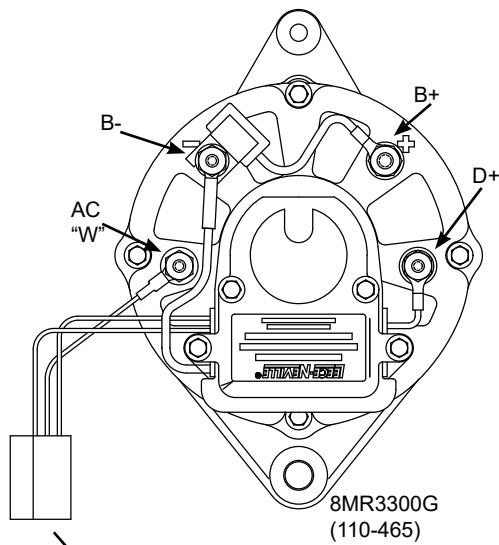


Source: Leece-Neville Heavy Duty Systems Division - Arcade, NY USA
 Date: JULY 7, 2017
 Bulletin No: TSB-1135
 Models: 8MR3300G (110-465)
 Subject: Replacement procedure

8MR3300G (110-465) is being discontinued. Diagram below will show you how to replace this alternator with a 8MR3301G (110-486).



Wiring Instructions:

	Connects to:	
8MR3300G	→	8MR3301G
Yellow wire (AC / W)	→	AC / W Terminal
Blue wire (S)	→	S Terminal
Red wire (I / Ing.)	→	D+ Terminal
B+ Terminal	→	B+ Terminal
B- Terminal	→	B- Terminal
		I / Ing Terminal: No connection

Important: The information contained in this bulletin is intended for use by trained, professional technicians who have the proper tools, equipment, and training to perform the required maintenance described above. This information is NOT intended for 'do-it-yourselfers'; and you should not assume that this information applies to your equipment. If you have any questions regarding this information please visit our website at www.prestolite.com, or contact our technical service department at: