

Source: Leece-Neville Heavy Duty Systems Division - Arcade, NY USA  
 Date: July 29, 2013  
 Bulletin No: TSB-1042  
 Models: All 12V MDA/MDP models  
 Subject: MDA/MDP Wiring Instructions 12V Models

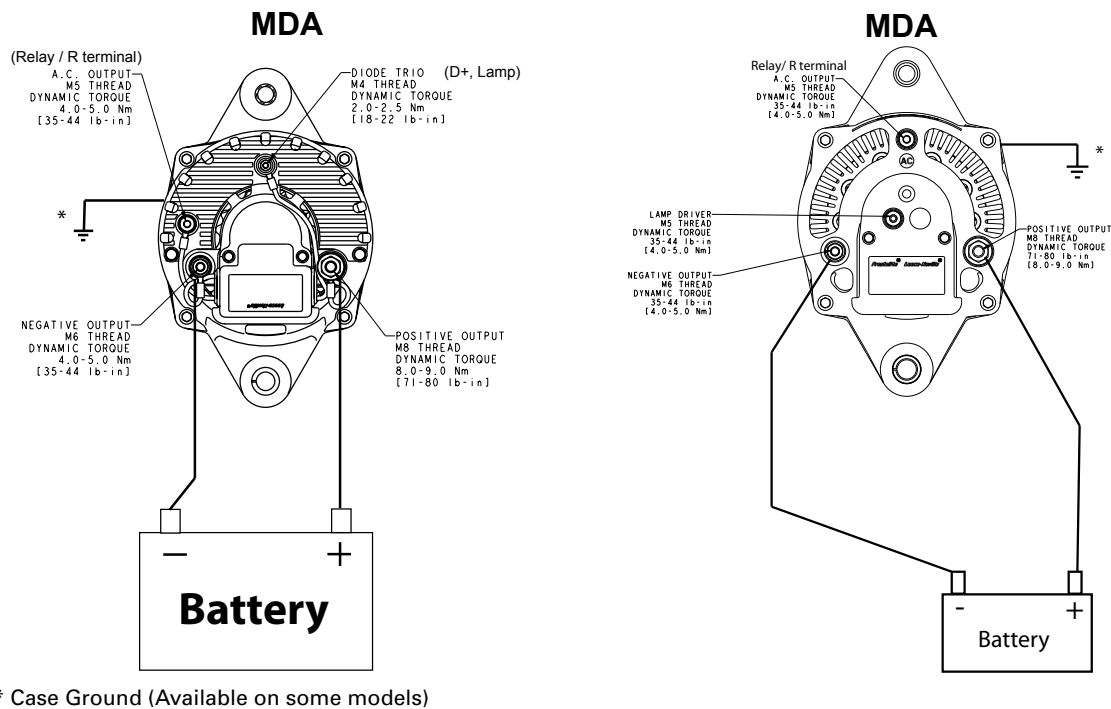
These instructions cover the installation wiring for MDA/MDP model alternators. They are for initial installations, as well as when replacing a Delco 22SI with the Leece-Neville MDA or MDP model alternators.

The Leece-Neville (MDA/MDP) series alternators are direct drop-in replacement alternators for the Delco 22SI alternators. However, the terminal locations and identifications are different. This guide will help explain the identification of these terminals.

Our MDA/MDP series are designed to be self-excite so only a positive cable (one wire systems) or positive and ground cables (two wire systems) are needed. See wiring diagram below. Some models are isolated ground so it will only work on a two wire application.

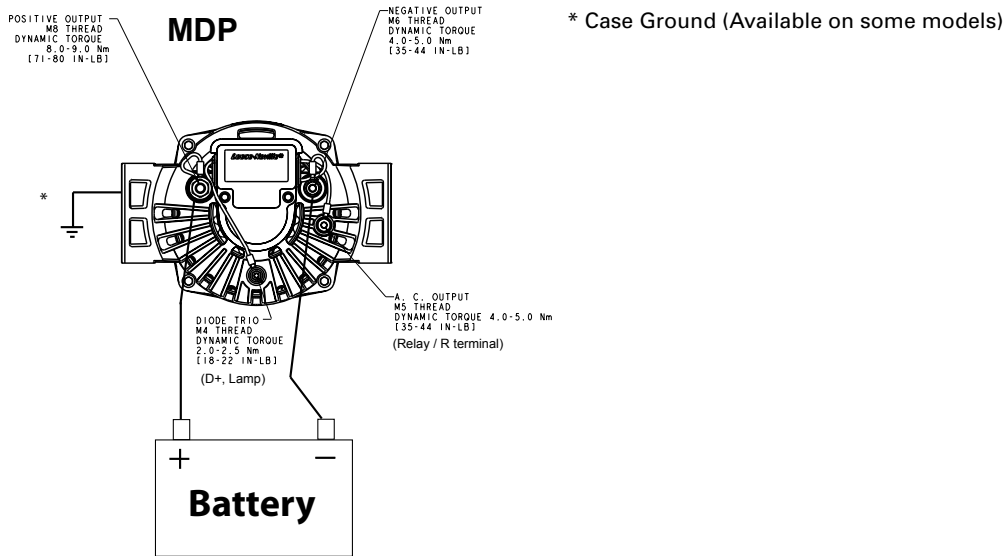
**Note:** On one wire applications, Leece-Neville recommends installing a secondary ground wire as engine grounds are not always appropriate.

If an ignition wire is present on your vehicle this wire does not need to be connected to the alternator. Insulate this terminal to prevent shorting and secure.

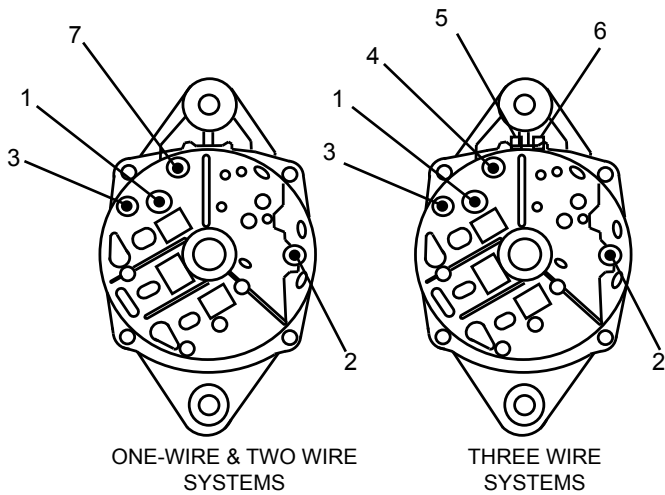


**Important:** The information contained in this bulletin is intended for use by trained, professional technicians who have the proper tools, equipment, and training to perform the required maintenance described above. This information is NOT intended for 'do-it-yourselfers', and you should not assume that this information applies to your equipment. If you have any questions regarding this information please visit our website at [www.prestolite.com](http://www.prestolite.com), or contact our technical service department at:

Date: July 29, 2013  
Bulletin No: TSB-1042



**Delco 22SI Terminal Identification Guide**



- 1 Output Terminal
- 2 Threaded hole for grounding
- 3 Relay terminal (standard location)
- 4 Relay terminal (optional location, 3-wire system)
- 5 Terminal #1 - indicator light or resistance wire (3 - wire system)
- 6 Terminal #2 - voltage sense (3 - wire system)
- 7 Indicator light terminal (1 & 2 - wire systems)

**Important:** The information contained in this bulletin is intended for use by trained, professional technicians who have the proper tools, equipment, and training to perform the required maintenance described above. This information is NOT intended for 'do-it-yourselfers', and you should not assume that this information applies to your equipment. If you have any questions regarding this information please visit our website at [www.prestolite.com](http://www.prestolite.com), or contact our technical service department at: