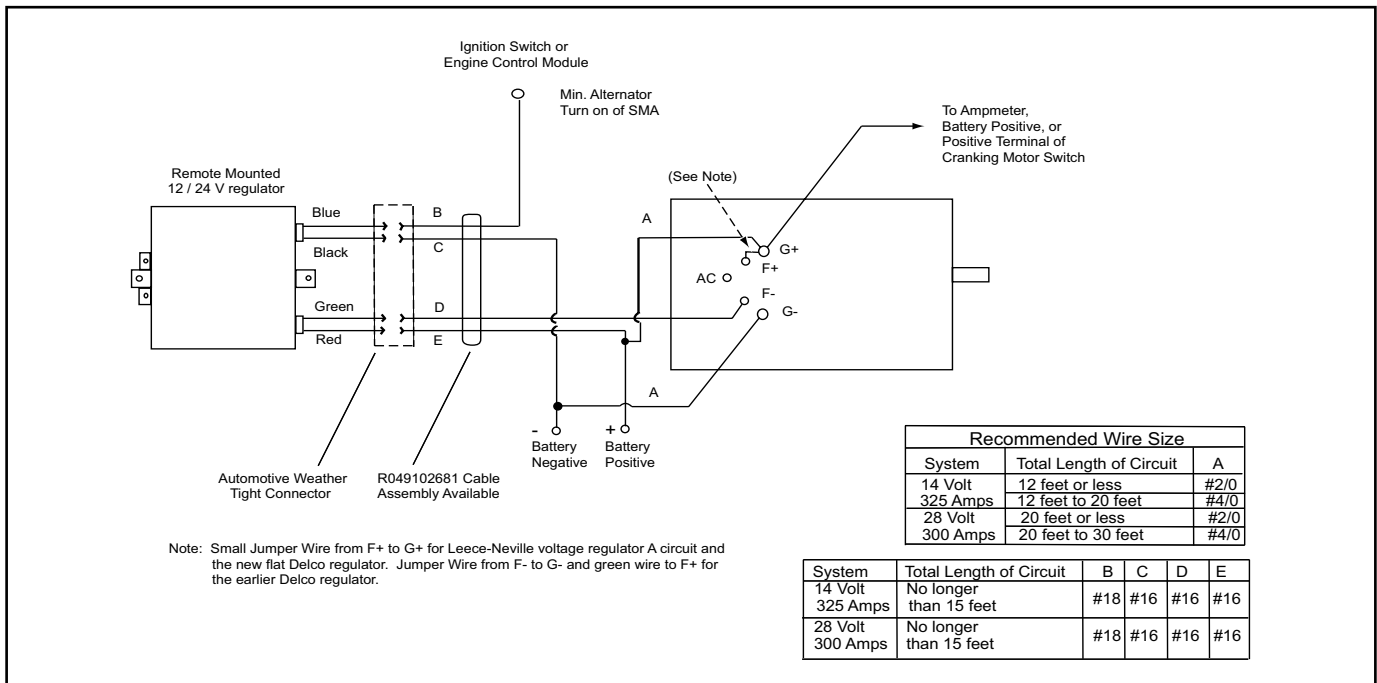


Source: Leece-Neville Heavy Duty Systems Division - Arcade, NY USA  
 Date: November 8, 2005  
 Subject: Installation of VLF Series Alternator  
 Bulletin No: TSB-1002  
 Models: VLF/50DN

**INSTALLATION OF VLF SERIES ALTERNATORS  
 AS REPLACEMENT OF 50DN UNITS**

- Remove 50DN Alternator and plug oil lines using plug kit #120-419. (Or use kit #120-427, which includes plug kit #120-419 and cable #120-426.)
- If cradle contains alignment keys, do not remove. Make sure cradle is smooth and free of debris. Place VLF on cradle with grooves in bracket over alignment keys.
- Set VLF unit on cradle. Align and install four (4) bolts and lockwashers. Torque to 50 ft. pounds.
- Install positive and negative cables to the G+ and G- terminals. Some vehicles may not have a negative cable, which will make it necessary to use the 120-426 cable from G- to the cradle support arm bolt.
- Install voltage regulator wires F1 to the F+ terminal and the R1 wire to the AC terminal. Install the small jumper wire (supplied with alternator) between the G- and the F- terminals. Support all cables and wires very carefully as to protect against separation due to vibration.
- **Belts!** Always install a new belt. When manual belt adjusters are used the same size belt can be used. It may be necessary to relocate adjuster into the upper mounting bolt holes in timing cover assembly. When automatic adjusters are in place a small belt must be used. A new belt should always be installed. Choose a belt size that fits your application. Self-adjusters should be replaced if tension is incorrect or excessive bounce is noted.

Engine now can be started and voltage checked and adjusted if necessary. Run engine for twenty (20) minutes and check belt tension on manually



Important: The information contained in this bulletin is intended for use by trained, professional technicians who have the proper tools, equipment, and training to perform the required maintenance described above. This information is NOT intended for 'do-it-yourselfers', and you should not assume that this information applies to your equipment. If you have any questions regarding this information please visit our website at [www.prestolite.com](http://www.prestolite.com), or contact our technical service department at: