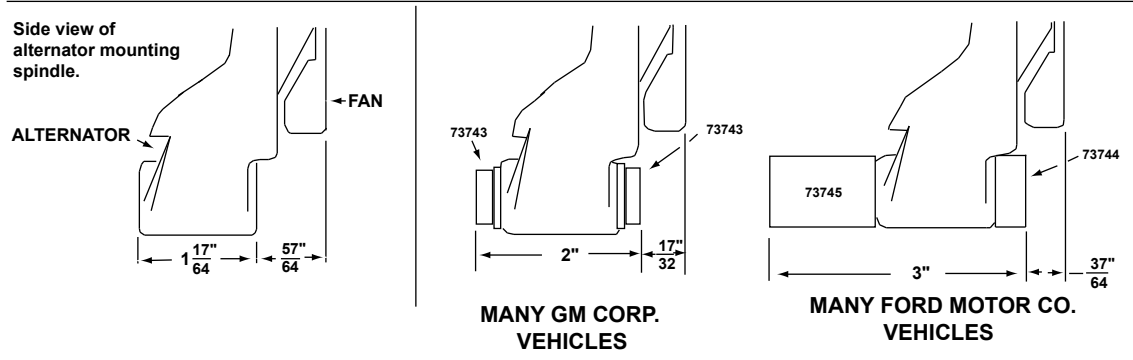
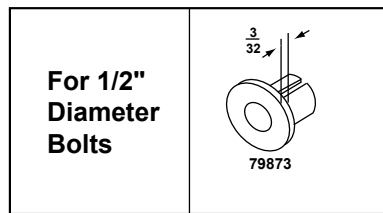
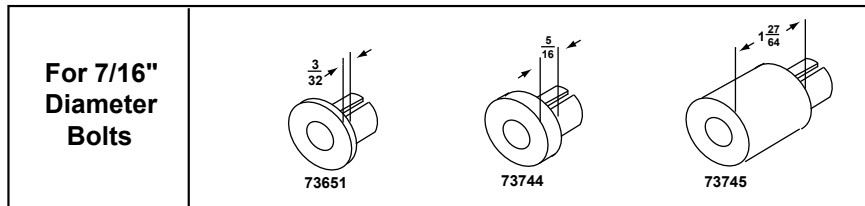
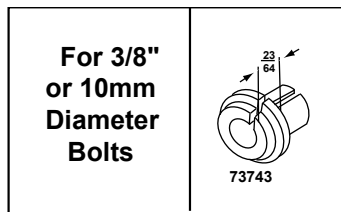


Source: Leece-Neville Heavy Duty Systems Division - Arcade, NY USA
 Date: Revision 6/26/06
 Bulletin No: 4457
 Models: Short Spindle Alternators
 Subject: Alternator Application

Inserts must be used for mounting short (1-17/64") spindle alternators. These are included in L-N mounting kits, which are available for light duty trucks and vans. (Ford, Chevrolet, GMC, and Dodge.) They are also available separately, per part numbers shown here, for those installations not utilizing mounting kits. Also shown are insert combinations, which can be used for adapting short spindle alternators to many original Ford Motor Company and General Motors Corporation mounting brackets.



Important: The information contained in this bulletin is intended for use by trained, professional technicians who have the proper tools, equipment, and training to perform the required maintenance described above. This information is NOT intended for 'do-it-yourselfers', and you should not assume that this information applies to your equipment. If you have any questions regarding this information please visit our website at www.prestolite.com, or contact our technical service department at: