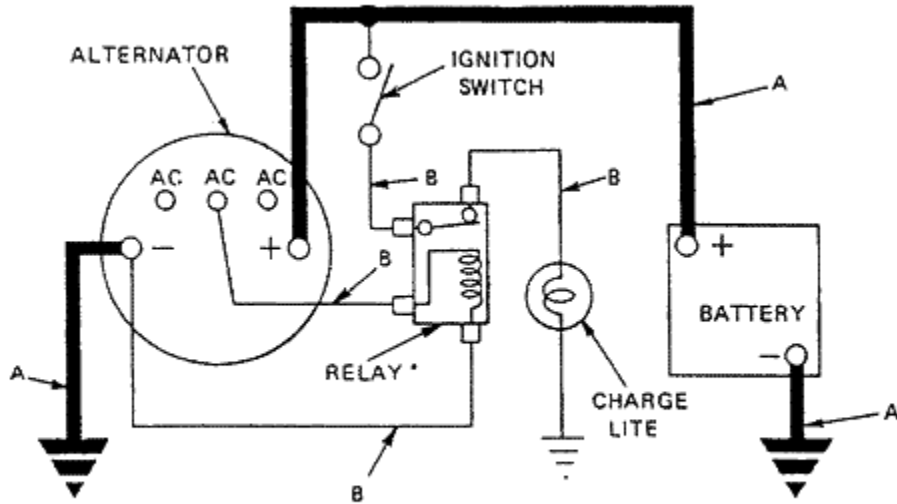


Charge Lite Circuit For Alternators With Integral (Built-In) Regulators

Negative Ground Circuit



12 volts, 1 amp, D. C., Single Pole, normally closed contacts, insulated coil.

Possible Sources:

Delco No. 115834
Narton No. 1300-2
Ford No. D1HS-10A3

RECOMMENDED MIN. WIRE SIZES

SYSTEM RATING	TOTAL LENGTH OF CHARGING CIRCUIT	A	B
14 V-65 A	12 Feet or less	#8	#16
	12 - 20 Feet	#6	#16
14 V-85 A	15 Feet or less	#6	#16
	15 Feet - 25 Feet	#4	#16
14 V-105 A	12 Feet or less	#6	#16
	12 - 20 Feet	#4	#16
14 V-130 A	15 Feet or less	#4	#16
14 V-160 A	15 25 Feet	#2	#16