

5kW Gear Reduced Starter Motor



TITAN
105

SETTING THE STANDARD...AGAIN



- **Electrical soft start**

Eliminates ring gear milling, as pinion slowly rotates while engaging to assure full meshing before full power is applied

- **5kW Output**

Power to spare for today's demanding heavy and medium duty applications

- **Integral mag switch relay**

Minimal wiring between relay and solenoid, assures more reliable starting circuit

- **Rotatable flange**

More versatility, less inventory to stock



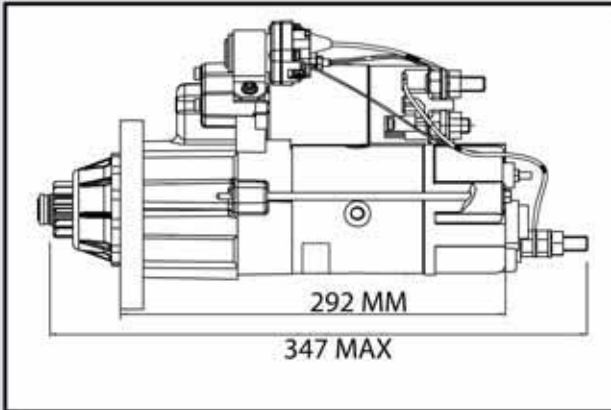
- **In-line gear reduced**

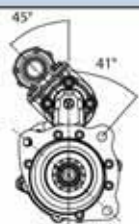
More power in a smaller package, the in-line design allows for the greatest installation flexibility

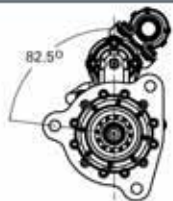
- **Sealed noseless design**

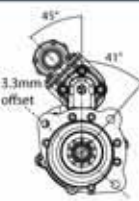
Protects against ingress of dust, oil, water and other contaminants and abrasives

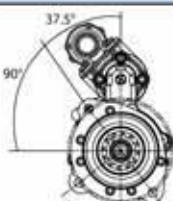
Titan™ 105 Application




M105601					
Front View	Details	Teeth	Pinion Details		
			Pitch	OD	Pinion at rest
	12V CW Rotatable SAE1 Flange	12	10/12	1.46" 37.2mm	1.87" 47.5mm

M105602 / M105613					
Front View	Details	Teeth	Pinion Details		
			Pitch	OD	Pinion at rest
	12V CW Rotatable SAE3 Flange M105613 has OCP	12	8/10	1.83" 46.62mm	1.87" 47.5mm

M105610					
Front View	Details	Teeth	Pinion Details		
			Pitch	OD	Pinion at rest
	12V CW Rotatable SAE1 Flange ISB07 only 3.3mm offset	10	8/10	1.57" 39.91mm	1.87" 47.5mm

M105611					
Front View	Details	Teeth	Pinion Details		
			Pitch	OD	Pinion at rest
	12V CW Rotatable SAE1 Flange	10	8/10	1.57" 39.91mm	1.87" 47.5mm

M105612					
Front View	Details	Teeth	Pinion Details		
			Pitch	OD	Pinion at rest
	12V CW Rotatable SAE1 Flange	12	8/10	1.83" 46.62mm	1.87" 47.5mm



1 Year / 100,000 Mile Warranty

part of the Road Warrior™ Series

Titan™ 105 Application

Prestolite Number	Engine	Replaces Various Starters	Popular Applications
M105601	INTERNATIONAL: D358	37MT, 41MT, R4	International, Waukesha
	CAT: 3208	37MT, 41MT, R4	Case Ag Equip., New Holland Ag
	CAT: 3126	37MT, 41MT, R4	Ford Truck
M105302 M105602 *	INTERNATIONAL: 466 & 570	37MT, 38MT, R4, P5	Dura Star 4000, Work Star 7000, Navistar
	CUMMINS: ISC, ISL, ISM	38MT, 39MT, 41MT, R5, P8, Mitsubishi	Sterling, Freightliner, International, Peterbilt, Kenworth, Int'l Bus
	CAT: C7, C9, C10, C11	38MT, 39MT, 41MT, R5, P8, Mitsubishi	Sterling, Freightliner, International, Peterbilt, Kenworth, MCI Bus
M105610	CUMMINS: ISB07	29MT, Denso	Sterling, Freightliner, International, Ford
M105611	CAT: 3116, 3126, C7	37MT, 38MT, R4, MS2-520	GMC, Freightliner, Peterbilt, Kenworth, Ford 650/750, International Bus Blue Bird Bus
	CUMMINS: M11	R5	Sterling, Freightliner, Peterbilt, Kenworth, International, Volvo
	PERKINS: 4-248, 6-354	37MT	Clark Equipment
M105612	CAT: 3116, 3126, C73, C7	37MT, 41MT, R4, MS2-521	Blue Bird Bus, GMC Trucks, Ford Trucks, Freightliner, Kenworth, Peterbilt, Sterling, Western Star
	JOHN DEERE: 544G, 624G, 643G, 644G, 843G	37MT, 41MT, R4	John Deere Ag & Industrial
M105613	INTERNATIONAL: 466, 530, & 570, Max Force DT9, DT10	37 MT, 38MT, R4, P5	Dura Star 4000, Work Star 7000, Navistar
	CUMMINS: ISC, ISL, ISM	38MT, 39MT, 41MT, R5, P8, Mitsubishi	Sterline, Freightliner, International, Peterbilt, Kenworth, Int'l Bus
	CAT: C7, C9, C10, C11, 3208	38MT, 39MT, 41MT, R5, P8, Mitsubishi	Sterline, Freightliner, International, Peterbilt, Kenworth, Int'l Bus

Rotatable flange may allow for additional applications and cross references not listed here.

Approved for diesel engines up to 11L maximum.

M105 may be too long for some applications. Please verify fit. M105 Length = 13.66" Denso R5 Length = 10.92"

* Adjustable nose version of M105302. Helper relay may need to be relocated.



Prestolite Number	Delco Remy		Denso	Mitsubishi	
M105601	1993883	10461301	228000-5850		
	1993891	10479307	228000-5851		
			** See Note		
M105602 Can replace Prestolite #. MS2-505 MS2-506 MS2-530 MS2-570	1990316	8200107	10479300	3601668C91	FL0379 *
	1990319	8300013	19026028	428000-1422	MIB970379 *
	1993713	8300015	19026029	228000-851	
	1993763	10461169	1614303C91	** See Note	
	1993778	10461171	2011457C91		
	1993874	10461227	2011847C91		
	1993928	10461277	2018380C91		
	1993969	10461385	2018381C91		
	8200005	10461386	323-897		
	8200042	10461435	3593808C92		
	8200080	10461769	597220C91		
	8200087	10478999	KW0779		
	8300005	10479250	M970979		
	1990405 *	10461757 *	20520903 *		
	8200030 *	10479251 *	85103338 *		
	8200050 *	19011510 *	M009T70979 *		
	8200104 *	19011514 *	PB0979 *		
	8200287 *	19011517 *	PC0779 *		
	10461501 *	19011525 *	PC0979 *		
10461757 *	20430285 *	VV0279 *			
M105610	8200014	10461764	19011404		
	8200023	10461771	19011407		
	8200077	19011400			
	8300024	19011402			
M105611 Can replace MS2-520	1046103	1990309	8200076	028000-329	
	1113402	1990312	8300021	028000-504	
	1113640	1990315	10461003	** See Note	
	1113641	1990318	10461081		
	1113644	1990326	10461225		
	1113650	1993754	10461768		
	1113651	1993762	10461282		
	1113653	1993769	10478953		
	1113656	1993799	10478957		
	1113672	1993881	10479036		
	1113676	1993886	10479226		
	1113690	1993947	19011409		
	1990308	1993963	19026027		
	M105612 Can replace MS2-521	1993885	10479098	10479215	228000-5850
10461456		10479206	10479242	228000-5851	
10479014		10461434	10461496	** See Note	
10479071		10461431			
10479278		10479207			
M105613	1990406	8300008	10461384		
	8200081	10461233	10478812		
	8300007	10461304	19011525		
	8200082 *		19011526		

Rotatable flange may allow for additional applications and cross references not listed here.

* Approved for diesel engines up to 11L maximum.

** M105 may be too long for some applications. Please verify fit. M105 Length = 13.66" Denso R5 Length = 10.92"

THE POWER OF EXCELLENCE

LEECE-NEVILLE HEAVY DUTY SYSTEMS

A DIVISION OF PRESTOLITE ELECTRIC INC.

www.prestolite.com

Manufacturing OE Sales

400 Main Street
Arcade, NY USA 14009

Phone: (585) 492-1700

Fax: (585) 492-1660

Distribution, Aftermarket Sales

7585 Empire Drive
Florence, KY USA 41042

Phone: (859) 525-8801

(800) 354-0560

Fax: (800) 997-6202