

# New Product Announcement

## M105R2517SE Starter Motor

M105R Starter	Sales #	Volts	Output	OCP	Pinion Details			
					Teeth	Pitch	OD	PAR
M105R2517SE	M105617	12V	5.0 kW	No	10	8/10	39.8	47.5



M105R2517SE  
mounted on bus engine

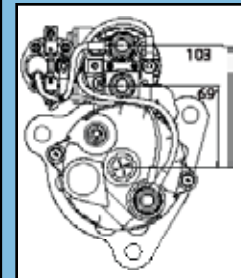
Part Number	Sales Number	Engine	Application Info.	Delco	Lester	International Truck	Prestolite
M105R2517SE	M105617	International DT 444E (7.3L)	International Truck	10461069	6297	2508912C91	35259840
				10461170	6391	1688615C91	
				10478890			
				10461108			
				1993880			
				1990312			

Note: In some instances the starter flange may need to be relocked.

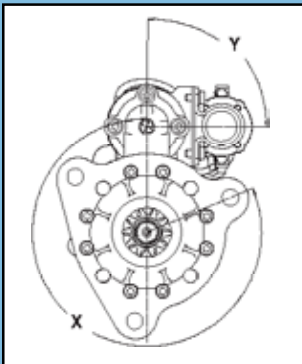
All M105R starters have IMS/ soft start relay.

Maximum engine displacement **11L**

### Rear Dimensional



### Mountings

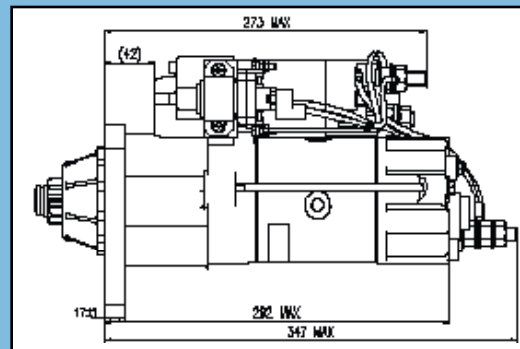


ALTERNATIVE MOUNTINGS		
FLANGE POSITION		
NO	ANGLE X	
1	32.5	Prestolite 240 CW
2	62.5	Prestolite 210 CW
3	172.5	Prestolite 120 CW
4	302.5	Prestolite 80 CW
5	292.5	AS SUPPLIED
6	322.5	Prestolite 340 CCW

RELAY POSITION		
POS	ANGLE Y	
A	90	Prestolite 180 CCW
B	45	Prestolite 135 CCW
C	0	Prestolite 90 CCW
D	-45	Prestolite 45 CCW
E	-90	AS SUPPLIED

### Side Dimensional



For more information  
contact your sales representative