

Marine Applications

Our UL Approved Series of Alternators are Used in Marine Applications

Marine Applications Small Frame Alternators

Small frame alternators for Marine applications have been supplied to the OEM and aftermarket by Prestolite / Leece-Neville for over thirty years. We offer a wide range of outputs, regulator features and mounting configurations to satisfy almost any marine engine and boat application.

Features

- Corrosion Protected
- Longer life graphite brushes
- Permanently lubricated and sealed ball bearings
- Adjustable voltage regulators, as well as pre-set
- Noise suppression built-in

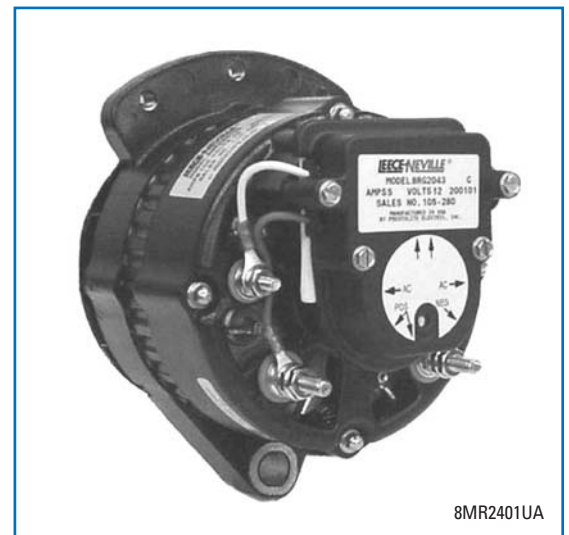
Applications

- 5" frame
- 1" and 2" Spool Mounts, with single and three hole adjuster ears
- 12 Volt 37-105 Amp
- 24 Volt 40-55 Amp
- Ignition, self excite and remote battery sense available
- These units are for gas and diesel
- Note: Large frame, higher output units are also available for marine diesel applications

Service

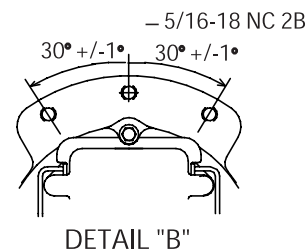
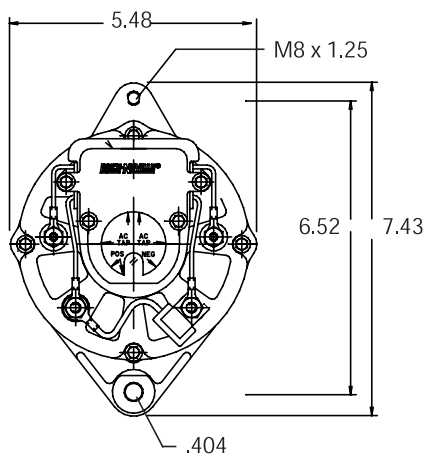
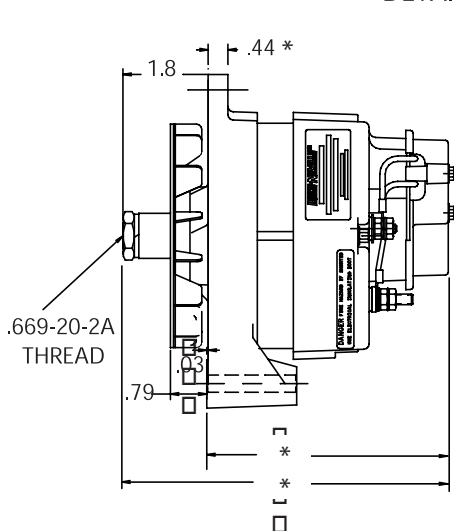
Prestolite/Leece-Neville has WorldWide parts and service representation, a necessary part of the decision when selecting products for Marine applications.

**12 Volt, 37 Amp to 105 Amp
24 Volt, 40 Amp to 55 Amp**



Dimensions

DETAIL "A"



*See individual prints for specific dimensions.

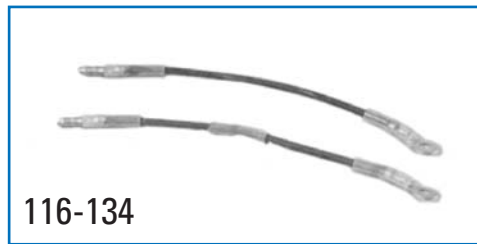
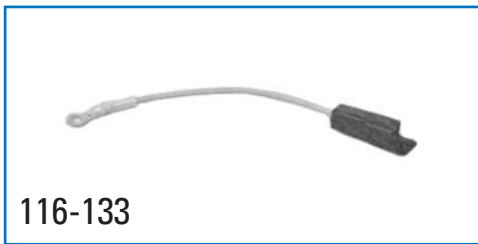
Model Characteristics

New 8MR Replacement Alternator for Marine Applications

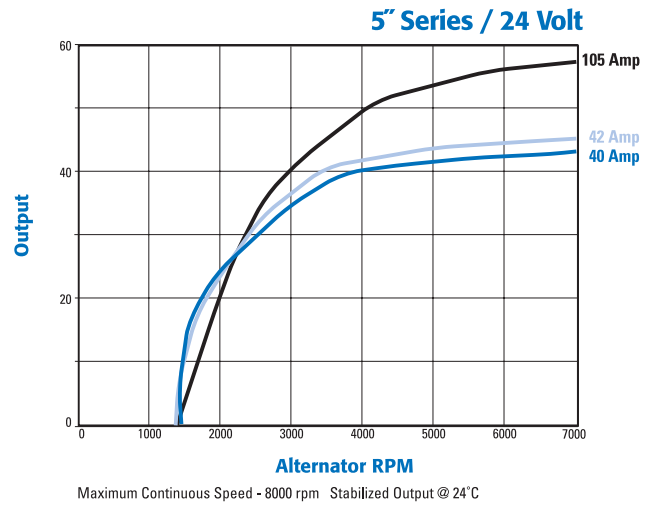
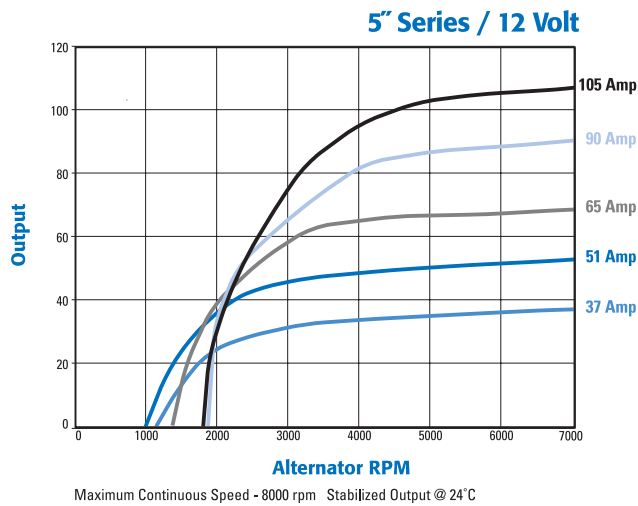
Sales No.	Alternator Model No.	Series	Output			Regulator Replacement No.	Regulator Features					Shaft Dia.	Rotation	Mounting Size	Foot Hole Dia.	Type	Adjusting Ear Hole/Thread	Notes
			Volt	Amp	Gnd		Exite Type	AC Tap	Remote Sense	D+	UL Listed							
110-532	8MR2050FA	5"	12	37	NEG	105-327	IGN	Y	N	Y	Y	0.625	BI-DIR	1.0"	.505"	B	5/16-18NC	
110-556	8MR2051FAS	5"	12	37	NEG	105-327	IGN	Y	N	Y	Y	0.625	BI-DIR	2.0"	.375"	A	5/16-18NC	
110-699-	8MR2175F	5"	12	37	CASE	105-335	IGN	Y	Y	Y	Y	0.625	CW	1.0"	.505"	B	5/16-18NC	PULLEY
110-512	8MR2048KA	5"	12	51	CASE	105-327	IGN	Y	N	Y	Y	0.625	BI-DIR	1.0"	.505"	B	5/16-18NC	
110-517	8MR2049KA	5"	12	51	NEG	105-327	IGN	Y	N	Y	Y	0.625	BI-DIR	2.0"	.375"	A	5/16-18NC	
110-494	8MR2084K	5"	12	51	NEG	105-306	IGN	Y	N	Y	Y	0.625	BI-DIR	2.0"	.375"	A	5/16-18NC	
110-488	8MR2085K	5"	12	51	NEG	105-306	IGN	Y	N	Y	Y	0.625	BI-DIR	2.0"	.375"	A	5/16-18NC	PULLEY
110-688	8MR2091KSS	5"	12	51	NEG	105-323	IGN	Y	Y	Y	Y	0.625	CW	2.0"	.375"	A	5/16-18NC	PULLEY
110-656-	8MR2199KS	5"	12	51	NEG	105-306	IGN	Y	N	Y	Y	0.625	BI-DIR	1.0"	.505"	B	5/16-18NC	
110-487	8MR2013L	5"	12	65	NEG	105-306	IGN	Y	N	Y	Y	0.625	BI-DIR	1.0"	.505"	B	5/16-18NC	
110-491	8MR2086L	5"	12	65	INS	105-306	IGN	Y	N	Y	Y	0.625	BI-DIR	2.0"	.375"	A	5/16-18NC	
110-483	8MR2092L	5"	12	65	INS	105-323	IGN	Y	Y	Y	Y	0.625	CW	2.0"	.375"	A	5/16-18NC	
110-484	8MR2093L	5"	12	65	INS	105-323	IGN	Y	Y	Y	Y	0.625	CW	2.0"	.375"	A	5/16-18NC	
110-600	8MR2185L	5"	12	65	CASE	105-335	IGN	Y	Y	Y	Y	0.625	CW	1.0"	.505"	B	5/16-18NC	
110-679	8MR2198LS	5"	12	65	NEG	105-303	IGN	Y	N	Y	Y	0.625	BI-DIR	1.0"	.505"	B	5/16-18NC	
110-521	8MR2058PA	5"	12	72	NEG	105-327	IGN	Y	N	Y	Y	0.625	BI-DIR	2.0"	.375"	A	5/16-18NC	
110-602	8MR2069TA	5"	12	90	INS	105-280	S	Y	N	N	Y	17MM	BI-DIR	2.0"	.404"	A	M8 x 1.25	
110-603	8MR2070TA	5"	12	90	INS	105-280	S	Y	N	N	Y	0.625	BI-DIR	1.0"	.505"	B	5/16-18NC	
110-567	8MR2401UA	5"	12	105	INS	105-280	S	Y	N	N	Y	0.625	BI-DIR	1.0"	.505"	B	5/16-18NC	
110-684	8MR3404G	5"	24	40	NEG	105-311	IGN	Y	N	Y	Y	0.625	BI-DIR	1.0"	.505"	B	5/16-18NC	
110-392	*8HC3026G	5"	24	42	NEG	105-273	IGN	N	Y	Y	Y	0.625	BI-DIR	2.0"	.375"	A	5/16-18NC	
110-557	8MR3188K	5"	24	55	INS	105-318	S	Y	N	N	Y	17MM	CW	1.0"	.505"	B	5/16-18NC	

* Not Corrosion Protected

Accessories



Performance



Applications

Sales No.	Original Equipment Model No.	Replaces Original Alternator	Customer Part No.	Customer	Remarks
110-532	8MR2050FA	8MR2050F 8MR2011F 8MR2024F 8MR2001F 8EM2001FA 8MR2051FA	215-172 150034800 78402 1500348-00 505976591 LN 110-515 353274	CHARLES MACHINE WORKS NACCO MATERIAL HANDLING MERCURY MARINE	
110-556	8MR2051FAS	8MR2051F 8EM2002F 8EM2002FA	07-07350 100001366 24684 24684	HYSTER-YALE NACCO MATERIAL HANDLING VOLVO NORTH AMERICAN HYSTER-YALE	
110-512	8MR2048KA	8MR2022K 8MR2048K 8EM2006K 8EM2006KA 8EM2016K 8EM2016KA 8MR2049K	X-81200-001-0 8EM2006K 000-01576 LN 110-517 08C5908 3069132 7050	HARDIN MARINE HALLIBURTON SERVICES HANSEN MARINE JH WESTERBEKE ISUZU DIESEL OF NA REX MARINE LISTER-PETTER, INC.	
110-517	8MR2049KA	8MR2018K 8EM2013NA 8EM2013N 8EM2007K 8EM2007KA	64118498 8EM2013NA 7050 000-01517 8MR2049K	FREIGHTLINER MITSUBISHI CATERPILLAR NACCO MATERIAL HANDLING PANTHER MARINE PANTHER MARINE LISTER-PETTER, INC. GLENWOOD MARINE	USE WITH CABLE 116-133
110-487	8MR2013L	8EM2013N	1911600 0160020 7318C39G01 C0191160000	SACHIN MANUFACTURING MERLIN MARINE	
110-521	8MR2058PA	8MR2058P	03-29602 160730 303473 ZLN110602	CUMMINS DIESEL JLG INDUSTRIES THERMO KING CUMMINS ENGINE CO. INC.	
110-602	8MR2069TA		302473 ZLN110602	ASHDOWN INDUSTRIES BAKER MATERIAL HANDLING DEUTZ CORPORATION NAVISTAR INT'L CORPORATION	
110-603	8MR2070TA		30735 09152 822982 3860665 755024 17399	HANSEN MARINE INDMAR MARINE MERCURY MARINE VOLVO NORTH AMERICAN INDMAR MARINE MERCURY MARINE	UPGRADE TO 51 AMP UPGRADE TO 51 AMP
110-494 110-686	8MR2084K 8MR2091KSS	8MR2023F 8MR2024F 8MR2036K 8MR2039K 8EM2014KA 8EM2003KA 8EM2003KAS 8EM2004KBS 8EM2017K 8EM2017KA	78402 985465	MERCURY MARINE OMC	
110-483	8MR2092L		824-0049 0160020	AMERICAN DIESEL JLG INDUSTRIES	
110-699	8MR2175F		03-29699	ASHDOWN INDUSTRIES	
110-600	8MR2185L		LN 110 699 03-29600 CFP-2200 3502296	FREIGHTLINER ASHDOWN INDUSTRIES CHECKER FLAG PARTS CHECKER FLAG PARTS	USE WITH CABLE 116-133
110-679	8MR2198LS	8EM2012N 8EM2012NAS 8EM2005 8EM2005KA 8EM2025KA	86536918	NEW HOLLAND NORTH AMERICA	USE WITH CABLE 116-133
110-567 110-684	8MR2401UA 8MR3404G	8EM3003GA 8EM3003GA	A41340 RA097004 4609138H91 22-40278 03-29684 100032214 036530 A41360 C0191157000 PRS 8EM3003GA DLA700-89-M-QX34 70-77375 8EM3003GA 44 2349 70-77375	CASE CORPORATION PLEASURE CRAFT KOMATSU AMERICA ALASKA DIESEL ELECTRIC ASHDOWN INDUSTRIES HALLIBURTON SERVICES JH WESTERBEKE CASE CORPORATION CUMMINS ENGINE CO. INC. FREIGHTLINER GOVERNMENT / DCSC HALLIBURTON SERVICES REX MARINE THERMO KING YAMAHA MOTOR CORP.	
110-392	8HC3026G	8EM3003G	XX-L124714	MISHAWAKA PRODUCTS	

General Purpose and Upgrades

Sales No.	Model No.	Manufacturer	Remarks
110-602	8MR2069TA	Replaces majority 12 volt Motorola, Mando, Delco 10 SI Series	Direct replacement for 2" foot alternators
110-603	8MR2070TA	Replaces majority 12 volt Motorola, Sev, Paris Rhone	On Volvo Penta 12 volt systems use (2) 118-46, and (1) 118-47 braces; Direct replacement for 1" foot alternators

MANUFACTURING & OE SALES
LEECE-NEVILLE HEAVY DUTY SYSTEMS
 400 Main Street
 Arcade, NY 14009
 (585) 492-1700
 Fax: (585) 492-1660

QS9000 Certified
www.prestolite.com

AFTERMARKET SALES LEECE-NEVILLE
 7585 Empire Drive
 Florence, KY 41042
 (800) 354-0560
 (859) 525-8801
 Fax: (800) 997-6202