

Construction and Agricultural Alternators 8HC, 8MR, 8TA and 8SC Series

Features

- Longer life graphite brushes extend service life
- Dynamically balanced rotor and shaft assembly
- Permanently lubricated and sealed ball bearings
- Heavy duty copper stator windings for higher output and cooler operation
- Some 8MR units are corrosion protected and/or UL approved
- 8TA units have a totally enclosed housing design for extremely adverse environments
- 8SC units are ideal for heavy belt loads and extremely high electrical loads on large diesel engines



8HC/8MR/8TA Features

- 5" Frame
- 1" and 2" Spool Mount
- 8HC 12 Volt 51-72 Amp, 24 Volt 35-40 Amp
- 8MR 12 Volt 37-105 Amp, 24 Volt 35-55 Amp
- 8TA 12 Volt 30-45 Amp, 24 Volt 16 Amp
- Sealed bearings for dust protection
- Ignition and self excite available

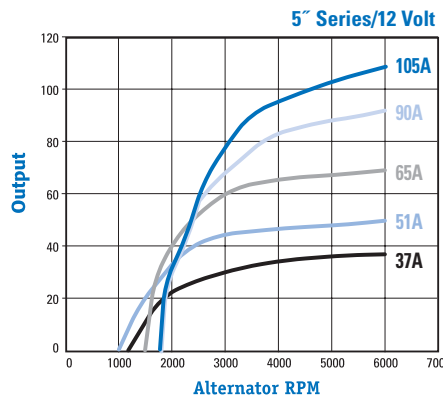
8SC Features

- 6.5" Frame
- 4" Dual Foot Mount
- 12 Volt 160-185 Amp
- 24 Volt 100-175 Amp
- 12 Diode rectifier system
- Use of Avalanche diodes in some models
- 12 volt units have trash screen for protection against foreign particles

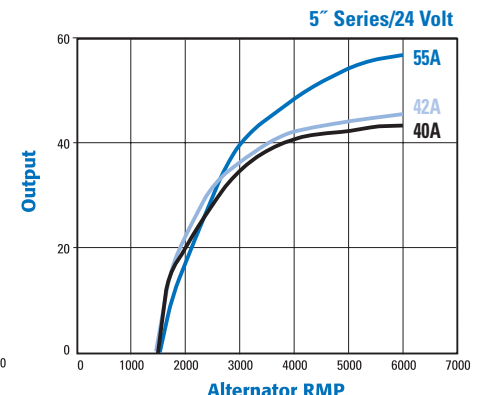
Service

Prestolite/Leece-Neville has WorldWide parts and service representation, a necessary part of the decision when selecting products for Agricultural and Construction applications.

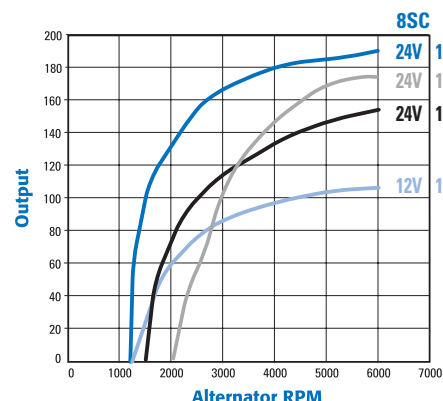
Product Performance



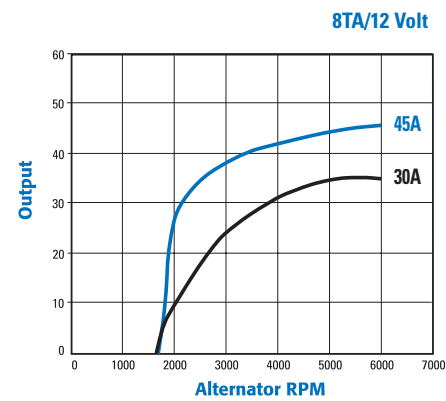
Maximum Continuous Speed - 8000 rpm
Stabilized Output @ 24°C



Maximum Continuous Speed - 8000 rpm
Stabilized Output @ 24°C

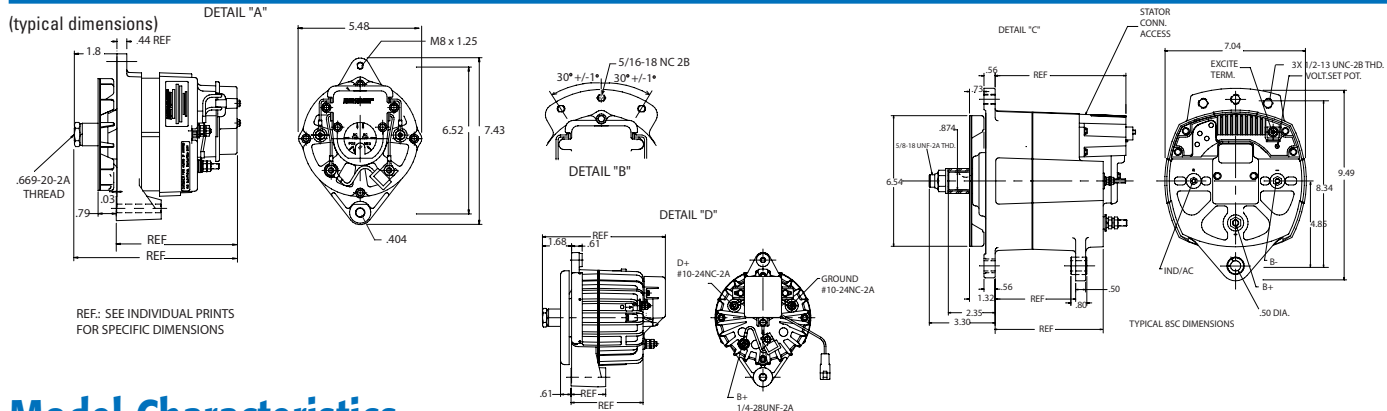


Maximum Continuous Speed - 8000 rpm
Stabilized Output @ 24°C



Maximum Continuous Speed - 8000 rpm
Stabilized Output @ 24°C

Dimensions



Model Characteristics

ALTERNATOR						REGULATOR											REGULATOR FEATURES	Adjusting Ear Hole/Thread		NOTES
Salas No.	Model No.	Series	Output Volt	Amp	Gnd	Replace No.	Excite Type	AC Tap	Remote Sense	D+	UL Listed	Shaft Dia.	Rotation	Mounting Size	Foot Hole Dia.	Detail	Adjusting Ear Hole/Thread		NOTES	
110-473	*8TA2028E	8TA	12	30	CASE	105-219	IGN	N	N	Y	N	0.627	BI-DIR	2.0"	.375"	D	5/16-18NC			
110-232	*8TA2028ES	8TA	12	30	CASE	N/A	REM	N	N	N	N	0.627	BI-DIR	2.0"	.375"	D	5/16-18NC			
110-414	*8TA2029E	8TA	12	30	CASE	105-281	IGN	N	N	N	N	0.627	BI-DIR	1.0"	.505"	D	5/16-18NC		PULLEY	
110-551	*8TA2032E	8TA	12	30	CASE	105-334	IGN	N	N	Y	N	0.627	BI-DIR	2.0"	.375"	D	5/16-18NC			
110-532	8MR2050FA	5"	12	37	NEG	105-327	IGN	Y	N	Y	Y	0.625	BI-DIR	1.0"	.505"	B	5/16-18NC			
110-556	8MR2051FAS	5"	12	37	NEG	105-327	IGN	Y	N	Y	Y	0.625	BI-DIR	2.0"	.375"	A	5/16-18NC			
110-699	8MR2175F	5"	12	37	CASE	105-335	IGN	Y	Y	Y	Y	0.625	CW	1.0"	.505"	B	5/16-18NC		PULLEY	
110-458	*8TA2030G	8TA	12	45	CASE	105-302	IGN	N	N	N	N	0.627	BI-DIR	2.0"	.375"	D	5/16-18NC			
110-475	*8TA2031G	8TA	12	45	CASE	105-305	SELF	Y	N	N	N	0.627	BI-DIR	2.0"	10.2MM	D	M8 X 1.25		PULLEY	
110-552	*8TA2034G	8TA	12	45	CASE	105-334	IGN	N	N	Y	N	0.627	BI-DIR	2.0"	.375"	D	5/16-18NC			
110-512	8MR2048KA	5"	12	51	CASE	105-329	IGN	Y	N	Y	Y	0.625	BI-DIR	1.0"	.505"	B	5/16-18NC			
110-517	8MR2049KA	5"	12	51	NEG	105-327	IGN	Y	N	Y	Y	0.625	BI-DIR	2.0"	.375"	A	5/16-18NC			
110-494	8MR2084K	5"	12	51	NEG	105-306	IGN	Y	N	Y	Y	0.625	BI-DIR	2.0"	.375"	A	5/16-18NC			
110-488	8MR2085K	5"	12	51	NEG	105-306	IGN	Y	N	Y	Y	0.625	BI-DIR	2.0"	.375"	A	5/16-18NC		PULLEY	
110-686	8MR2091KSS	5"	12	51	NEG	105-323	IGN	Y	Y	Y	Y	0.625	CW	2.0"	.375"	A	5/16-18NC		PULLEY	
110-656	8MR2199KS	5"	12	51	NEG	105-306	IGN	Y	N	Y	Y	0.625	BI-DIR	1.0"	.505"	B	5/16-18NC			
110-487	8MR2013L	5"	12	65	NEG	105-306	IGN	Y	N	Y	Y	0.625	BI-DIR	1.0"	.505"	B	5/16-18NC			
110-491	8MR2086L	5"	12	65	INS	105-306	IGN	Y	N	Y	Y	0.625	BI-DIR	2.0"	.375"	A	5/16-18NC			
110-483	8MR2092L	5"	12	65	INS	105-323	IGN	Y	Y	Y	Y	0.625	CW	2.0"	.375"	A	5/16-18NC			
110-484	8MR2093L	5"	12	65	INS	105-323	IGN	Y	Y	Y	Y	0.625	CW	2.0"	.375"	A	5/16-18NC			
110-600	8MR2185L	5"	12	65	CASE	105-335	IGN	Y	Y	Y	Y	0.625	CW	1.0"	.505"	B	5/16-18NC			
110-679	8MR2198LS	5"	12	65	NEG	105-303	IGN	Y	N	Y	Y	0.625	BI-DIR	1.0"	.505"	B	5/16-18NC			
110-521	8MR2058PA	5"	12	72	NEG	105-327	IGN	Y	N	Y	Y	0.625	BI-DIR	2.0"	.375"	A	5/16-18NC			
110-602	8MR2069TA	5"	12	90	INS	105-280	SELF	Y	N	N	Y	17MM	BI-DIR	2.0"	.404"	A	M8 X 1.25			
110-603	8MR2070TA	5"	12	90	INS	105-280	SELF	Y	N	N	Y	0.625	BI-DIR	1.0"	.505"	B	5/16-18NC			
110-567	8MR2401UA	5"	12	105	INS	105-280	SELF	Y	N	N	Y	0.625	BI-DIR	1.0"	.505"	B	5/16-18NC			
110-563	*8SC2020Z	8SC	12	185	INS	105-390	SELF	Y	N	N	N	0.874	BI-DIR	.56"	.505"	C	1/2-13UNC			
110-565	*8SC2023Z	8SC	12	185	INS	105-368	SELF	Y	N	Y	N	0.874	BI-DIR	.56"	.505"	C	1/2-13UNC			
110-684	8MR3404G	5"	24	40	NEG	105-311	IGN	Y	N	Y	Y	0.625	BI-DIR	1.0"	.505"	B	5/16-18NC			
110-392	*8HC3026G	5"	24	42	NEG	105-273	IGN	N	Y	Y	Y	0.625	BI-DIR	2.0"	.375"	A	5/16-18NC			
110-557	8MR3188K	5"	24	55	INS	105-318	SELF	Y	N	N	Y	17MM	CW	1.0"	.505"	B	5/16-18NC			
110-221	*8TA3025CS	8TA	24	60	CASE	**	IGN	N	N	N	N	0.627	BI-DIR	2.0"	0.375	D	5/16-18NC			
110-298	*8SC3014U	8SC	24	100	INS	105-396	IGN	N	N	Y	N	0.874	BI-DIR	.56"	.505"	C	.52"			
110-302	*8SC3015U	8SC	24	100	INS	105-396	IGN	N	N	Y	N	0.874	BI-DIR	.56"	.505"	C	1/2-13UNC			
110-316	*8SC3019U	8SC	24	100	INS	105-396	IGN	N	N	Y	N	0.874	BI-DIR	.56"	.505"	C	1/2-13UNC			
110-575	*8SC3017VA	8SC	24	150	INS	105-389	IGN	Y	Y	N	N	0.874	BI-DIR	.56"	.505"	C	1/2-13UNC			
110-576	*8SC3018VA	8SC	24	150	INS	105-383	REM	Y	Y	N	N	0.874	BI-DIR	.56"	.505"	C	1/2-13UNC			
110-431	*8SC3068V	8SC	24	150	INS	105-396	IGN	N	N	Y	N	0.874	BI-DIR	.56"	.505"	C	1/2-13UNC			
110-568	*8SC3110V	8SC	24	150	INS	105-389	IGN	Y	Y	N	N	0.874	BI-DIR	.56"	.505"	C	1/2-13UNC			
110-258	*8SC3009ZA	8SC	24	175	INS	105-396	IGN	N	N	Y	N	0.874	BI-DIR	.56"	.505"	C	1/2-13UNC			
110-569	*8SC3029Z	8SC	24	175	INS	105-396	IGN	N	N	Y	N	0.874	BI-DIR	.56"	.505"	C	1/2-13UNC			

* Not Corrosion Protected

** Regulator not included - purchase regulator #105-164

MANUFACTURING & OE SALES LEECE-NEVILLE HEAVY DUTY SYSTEMS

400 Main Street
Arcade, NY 14009
(585) 492-1700
Fax: (585) 492-1660

QS9000 Certified
www.prestolite.com

AFTERMARKET SALES LEECE-NEVILLE

7585 Empire Drive
Florence, KY 41042
(800) 354-0560
(859) 525-8801
Fax: (800) 997-6202