

General Purpose Open Brush Model

Economical designed for reliable output in normal operating environments. Dynamically balanced rotor, oversized bearings and rugged construction provide long service life. Recommended for light industrial, agricultural, and truck applications with low levels of dust and moisture.

Features and Benefits

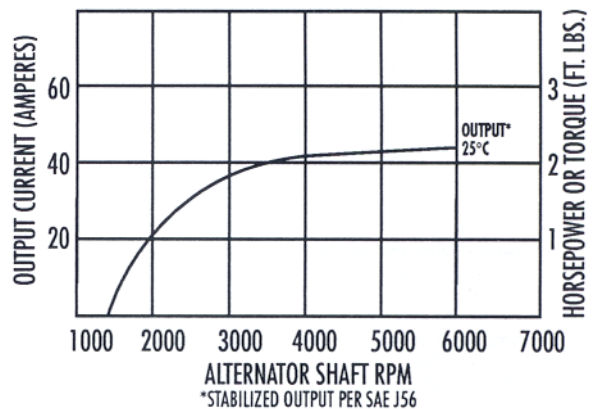
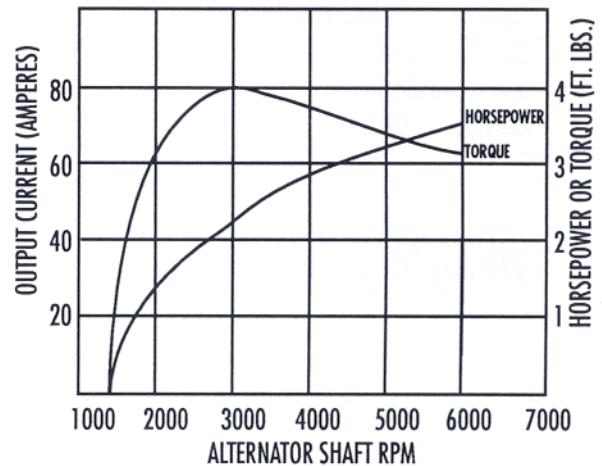
- Heavy-duty copper stator windings for higher output and cooler operation.
- Longer copper graphite brushes, for longer service life between brush changes.
- Permanently-lubricated and sealed ball bearings.
- Housing can be indexed in 90 degree intervals for applications versatility.
- Heavy-duty cast aluminum housing.
- Metric mounting and electrical connections standard.
- Operating ambient temperature range -40°F to +200°F
- Negative ground configuration.
- Integral regulator and rectifier.
- Max. continuous operating speed 8,000 RPM.
- Operating rotation: Bi-directional
- Fans: CW, CCW, and bi-directional fans available.
- Pulleys: Optional styles and diameters available.

Output

RPM	Amps
1,700	0
2,000	20
3,000	38
4,000	42
5,000	45

Sales Number
110-462

8AR3200G
24 Volt 40 Amp

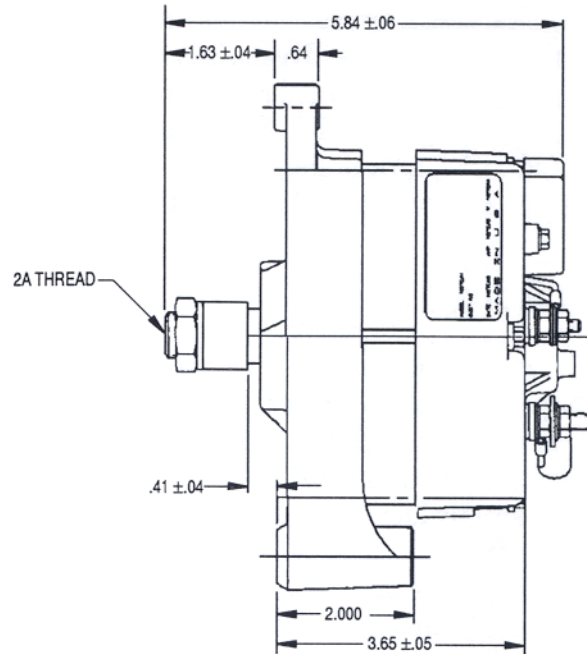
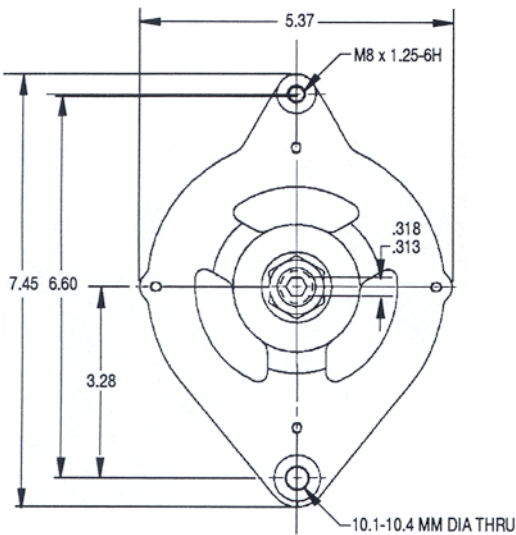


Options

12 Volt, 65 Amp 2-tab and 3-tab connector models available.

Dimensions

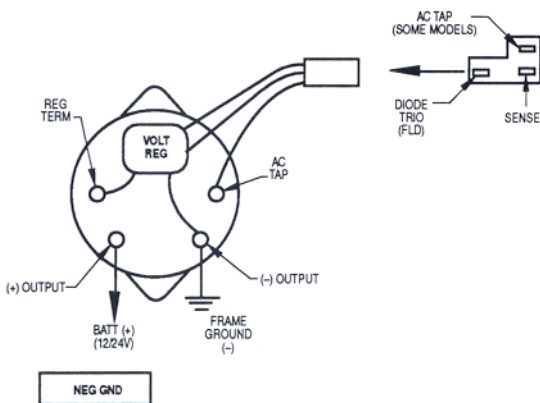
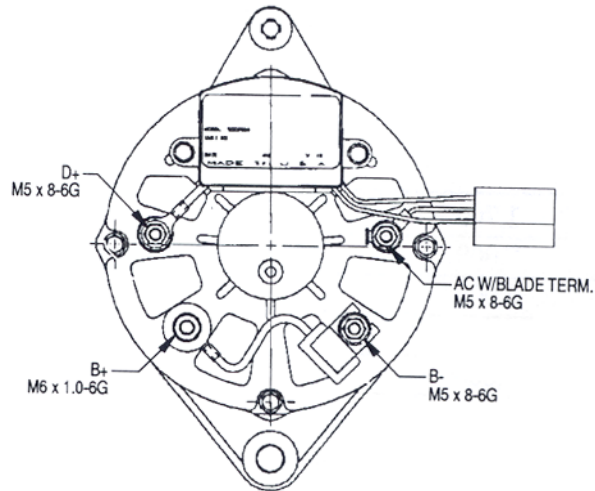
8AR3200G



Terminations

- AC Taps - Connector (yellow wire)
- Ind. Lamp - M5X.8
- Ignition - Connector (black wire)
- Remote Sense - Connector (blue wire)
- B+ - M6X1.0
- Ground - M5X.8

Wiring Diagram



Cable Size

Ground and Battery Cable

Size	Feet
10	0 - 10
6	10 - 25

Manufacturing and OE Sales
Leece-Neville Heavy Duty Systems
400 Main St.
Arcade, NY 14009
(716)-492-1700
Fax: (716)-492-1660

QS 9000 Certified
www.prestolite.com

Aftermarket Sales Leece-Neville
7585 Empire Dr.
Florence, KY 41042
800-354-0560
Fax: 800-997-6202