

## Marine-Type, Corrosion Protected

Designed with corrosion resistant housings and components for reliable output in adverse corrosive environments. Enclosed and sealed brush / slip ring cavity protects brush and slip ring system from dust, dirt, and moisture to prolong brush and rotor life. Dynamically balanced rotor, oversized bearings and rugged construction provide long service life. Designed for use in marine corrosive / hazardous vapor applications; also recommended for agriculture

## Features and Benefits

- Heavy-duty copper stator windings for higher output and cooler operation.
- Longer copper graphite brushes, for longer service life between brush changes.
- Permanently-lubricated and sealed ball bearings.
- Housing can be indexed 90 degree intervals for applications versatility.
- Heavy-duty epoxy-coated cast aluminum housing.
- Operating ambient temperature range -40° F to +200° F
- Negative ground configuration.
- Integral regulator and rectifier.
- Max. continuous operating speed 8,000 RPM.
- Operating rotation: Bi-directional
- Pulleys: Optional styles and diameters available.

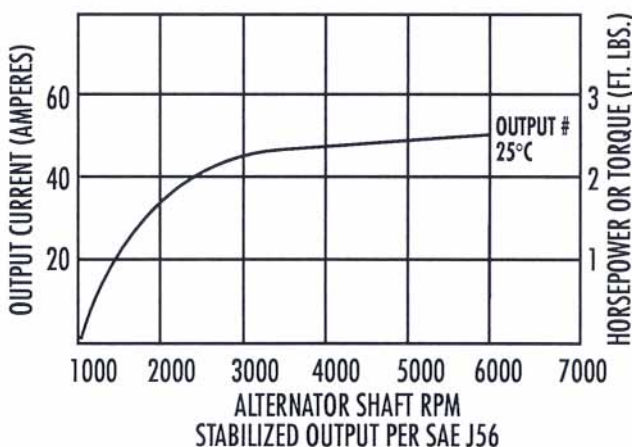
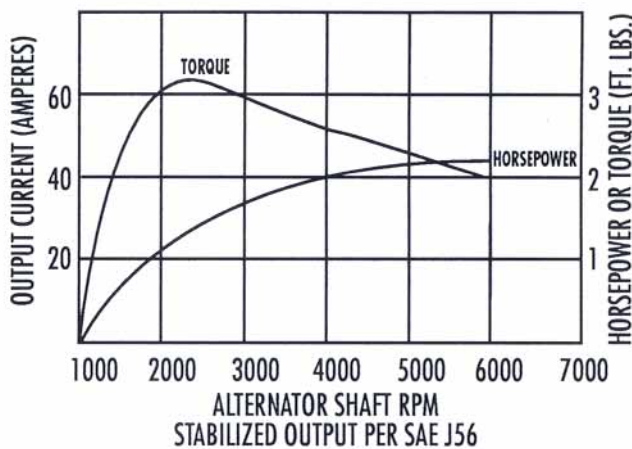
## Output

RPM	Amps
1,500	21
2,000	34
3,000	45
4,000	48
5,000	51

Sales Number  
110-517

# 8MR2049KA

12 Volt 51 Amp

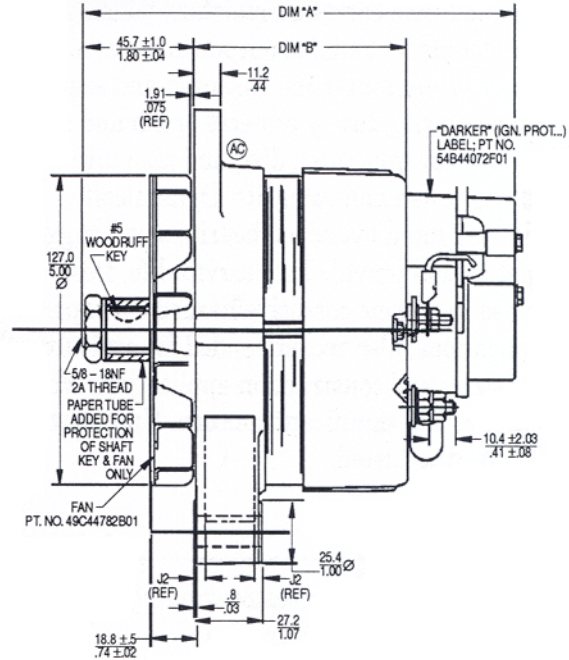
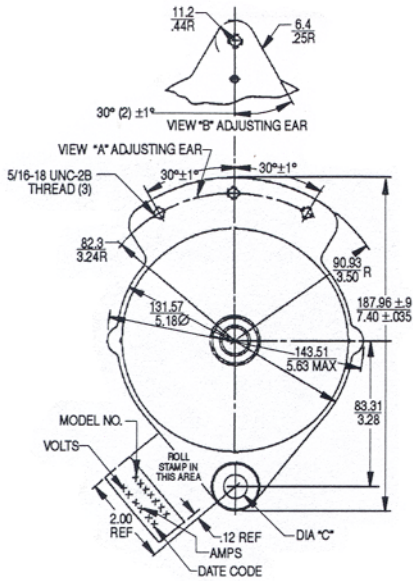


## Options

Available with stud terminal only.

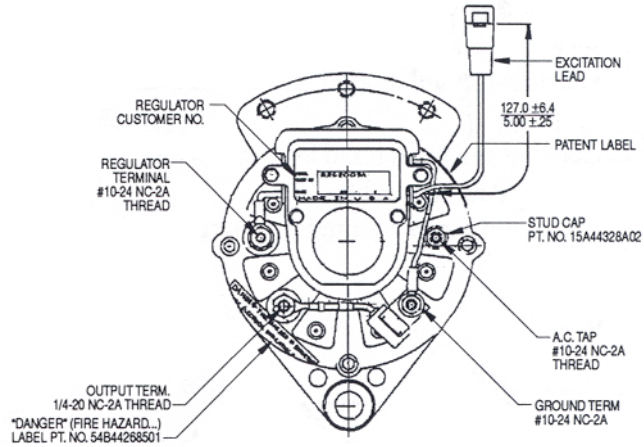
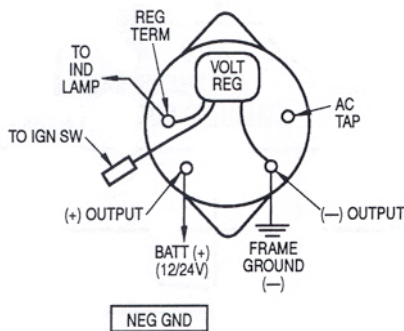
**Dimensions**

**8MR2049KA**



- AC Taps - 10-24
- Ind. Lamp - 10-24
- Ignition - connector
- B+ - 1/4-20
- Ground - 10-24

**Wiring Diagram**



**Cable Size**

**Ground and Battery Cable**

Size	Feet
4	0 - 10
2	10 - 15

Manufacturing and OE Sales  
Leece-Neville Heavy Duty Systems  
400 Main St.  
Arcade, NY 14009  
(716)-492-1700  
Fax: (716)-492-1660

**QS 9000 Certified**  
www.prestolite.com

Aftermarket Sales Leece-Neville  
7585 Empire Dr.  
Florence, KY 41042  
800-354-0560  
Fax: 800-997-6202