

# 12V 350A

# BLP4004H

## Why Leece-Neville?

### More Power At Low Temperatures

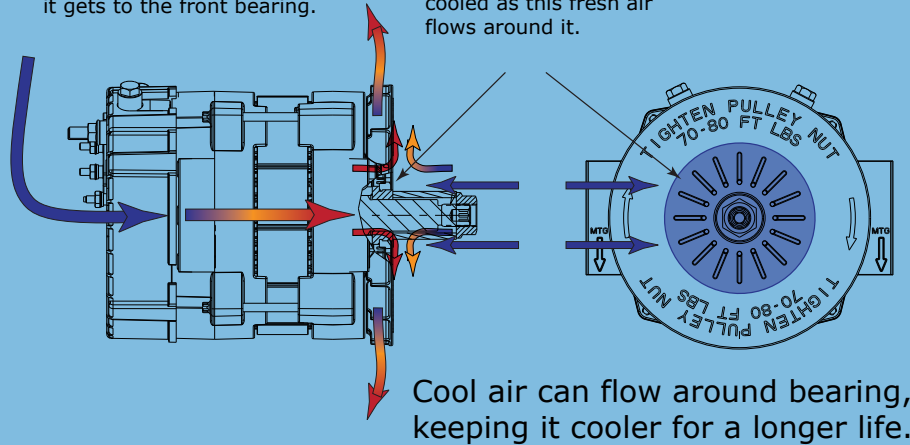
### More Power At High Temperatures

The patented **Auxiliary Draft Cooling** design of the fan and front housing assembly work together to keep the front bearing up to **10°C** cooler than traditional external fan designs.

In traditional alternators, cool air flows in only from the back of the unit.

This air is hot by the time it gets to the front bearing.

**ADC™** allows cool air to enter from the front of the fan, so that the bearing is cooled as this fresh air flows around it.

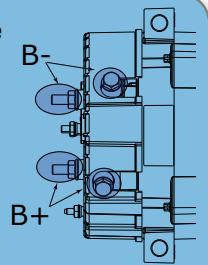


Cool air can flow around bearing, keeping it cooler for a longer life.

## High Amp Brushless Features

- **125°C Temperature Rated**  
Our alternators continue to provide power at their maximum rated temperatures.
- **E-Coated Housing**  
For maximum corrosion resistance
- **Remote Sense Compatible**  
Can be used on remote sense applications to optimize alternator output and increase battery life.
- **Lamp Driver Feature**  
High or low side driver for varied lamp driver applications
- **Heavy Duty Housing Design**  
To withstand extreme applications and vibration
- **Dual Positive and Negative Connections**
- **ADC™ Bearing Protection**
- **12 Diodes**

Designed with dual cable terminals (B+ and B-), facing both laterally and axially so that cables can be easily connected regardless of the application.



**Prestolite**  
electric

**Leece-Neville**  
HEAVY DUTY SYSTEMS

# 12V 350A

# BLP4004H

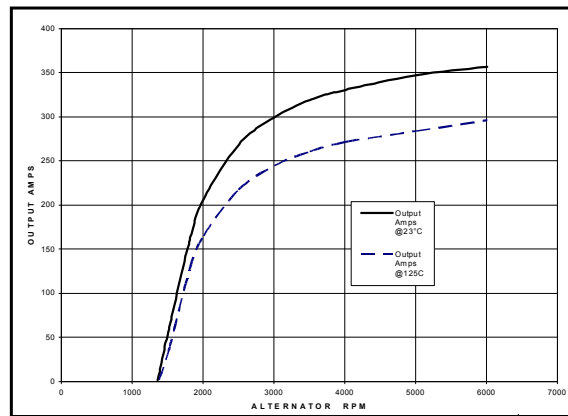
## Bench Marking

	L/N BLP 350A	Remy 40SI 300A	Remy 40SI 320A	L/N 320A 4000 Series
Output at 2000 RPM @ 25C	212A	125A	150A	160A
Output at 2000 RPM @ 125C	162A	N/A 115C Max	N/A 115C Max	130A
Output at 6000 RPM @ 25C	360A	295A	320A	320A
Output at 6000 RPM @ 125C	300A	N/A 115C Max	N/A 115C Max	265A
Efficiency	72%	72%	72%	61%
Weight	36	31	31	32
Corrosion protection	Yes	No	No	No
Number of Diodes	12	12	12	12
Insulated Return	Yes	No	No	Yes/No
Side Terminals	Pos & Neg	Neg	Neg	Neg
Rear Axial Terminals	Pos & Neg	Pos	Pos	Pos
Warning Lamp Driver	Yes	Yes	Yes	Yes
Intelligent Remote Sense	Yes	Yes	Yes	Yes
Manufactured	USA *	Mexico	Mexico	USA

\* Made in U.S. with U.S. and non-U.S. components.

### Comparison Interchange Data

Mounting	Leece-Neville		Delco Remy		
	Model	Output Amps	Model	Part #	Output (Amps)
Pad	<b>BLP4004H</b>	350	40SI	8600628 8600298	300/320



Call your Leece-Neville Representative today!

